

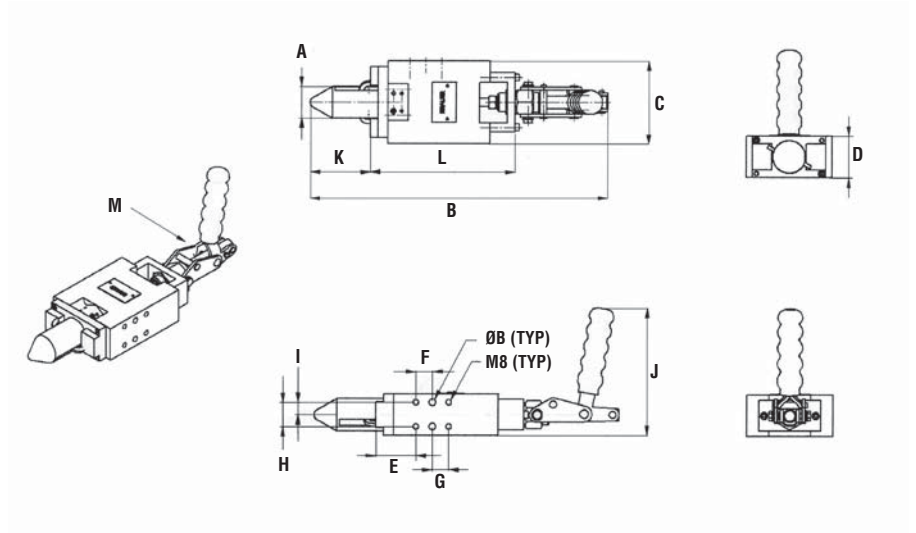
Pin Location Clamps



• Metric dimensions shown for global specification.



Model #	Dimensions (mm)												
	A	B	C	D	E	F	G	H	I	J	K	L	M
PC25.0	25	347	105	51	49	20	20	30	15	157	51	181	P400
PC35.0	35	370	105	51	49	20	20	30	15	157	74	181	P400
PC40.0	40	371	105	51	49	20	20	30	15	157	74	181	P400



Body Location Clamps



• Metric dimensions shown for global specification.



Model #	Dimensions (mm)												
	B	C	D	E	F	G	H	I	J	L	M	N	
BC25.0	305	105	51	49	20	20	30	15	157	181	P400	37	
BC40.0	310	105	51	49	20	20	30	15	157	181	P400	37	

