

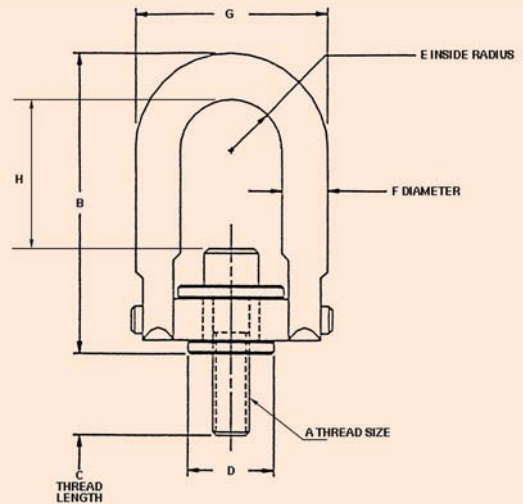
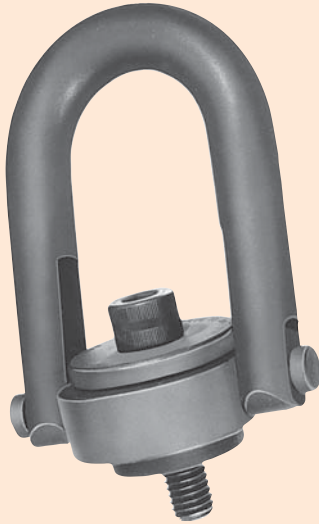
HOIST RINGS - Centre Pull Style



- Full Swivel and Pivot Action
- Rated at 5:1 Strength Factor
- Material: Alloy Steel
- Finish: Black Oxide (Except Washer)

- Clevis, Bolt, Pins, Base, Washer and Bushing are magnetic particle inspected
- Washer: Zinc Plated with clear conversion coating
- Proof Tested to 200% of Rated Load Capacity
- All products are **CE** marked

Available with Envirolox™ protective finish.



Metric Centre-Pull Hoist Rings

THREAD SIZE A	LOAD ¹ CAPACITY (Kg)	STD. CLEVIS		LONG CLEVIS		ENVIROLOX PART NUMBER ⁴	THREAD LENGTH					STD. CLEVIS H	LONG CLEVIS H	TORQUE ² (Kg m.)	WT. (Kg)
		PART NUMBER	B	PART NUMBER	B		C	D	E	F	G				
M8x1.25	400	23456	67.8	—	—	23356	12.5	19.0	10.9	9.7	46.7	32	—	1.0	.17
M10x1.50	450	23458	67.8	—	—	23358	17.5	19.0	10.9	9.7	46.7	30	—	1.7	.17
M12x1.75	1050	23462	121.4	23562	170.7	23362	19.0	38.1	22.4	19.0	89.4	60.5	108	3.8	1.08
M16x2.0	1900	23465	121.4	23565	170.7	23365	29.0	38.1	22.4	19.0	89.4	56.5	106	8.2	1.12
M20x2.5	1250	23468	121.4	23568	170.7	23368	34.0	38.1	22.4	19.0	89.4	52.5	101	13.6	1.19
M20x2.5	3000	23471	165.6	23571	206.0	23371	32.0	58.7	35.6	25.4	130.6	73	101	13.6	3.03
M24x3.0	4200	23474	165.6	23574	206.0	23374	37.0	58.7	35.6	25.4	130.6	69	111	31.0	3.10
M30x3.5	7000	23478	221.7	—	—	23378	41.9	81.0	44.5	31.7	165.1	107.4	—	60.0	6.3
M30x3.5	7000	23479	21.7	—	—	23379	61.7	81.0	44.5	31.7	165.1	107.4	—	60.0	6.4
M36x4.0	11000	23483	316.7	—	—	23383	63.5	106.4	57.2	44.4	217.2	166.5	—	100.0	15.5
M42x4.5	12500	23484	316.7	—	—	23384	68.0	106.4	57.2	44.4	217.2	160.5	—	100.0	16.0
M48x5.0	13500	23485	316.7	—	—	23385	88.0	106.4	57.2	44.4	217.2	154.5	—	100.0	16.8
M64x6.0	22500	23488	419.1	—	—	23388	96.0	146.0	76.2	57.15	297.6	210	—	290.0	40.0

Replacement Bolt Kits³

PART NUMBER	WT. (Kg)
23656	.01
23658	.01
23662	.03
23665	.05
23668	.09
23671	.10
23674	.18
23678	.36
23679	.41
23683	.69
23684	1.25
23685	1.5
23688	7

All dimensions are in millimetres.

¹ Stated load capacity is based upon specific thread torques shown in chart.

² It is recommended that these torques be used when installing hoist rings.

³ Replacement Bolt Kit contains bolt and retaining ring. Bolt Kits for Envirolox Hoist Rings available upon request.

⁴ Available from stock as Standard Clevis.