

Stirrup Shaped Handles in aluminium



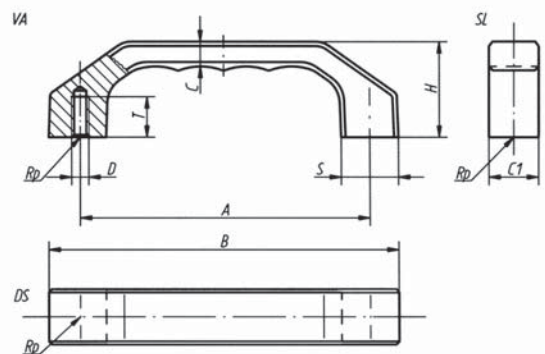
Material:
AlMgSi 0.5

Surface finish:
Matt-finished and anodised

Form A
natural colour anodised

Form B
black anodised

Form C
titan colour anodised



Stirrup-Shaped Handles in aluminium

Order No. Form A	Order No. Form B	Order No. Form C	A	B	C	C1	D	H	S	T	Approx. weight g
06915-120061	06915-120062	06915-120063	120	146	10,5	22	M 6	39	24	15	127
06915-140081	06915-140082	06915-140083	140	170	12	25	M 8	45	28	16	193
06915-160081	06915-160082	06915-160083	160	194	13,5	28	M 8	52	32	16	293

Sample order: Stirrup-Shaped Handle 06915-140082

Stirrup Shaped Handles in thermoplastic

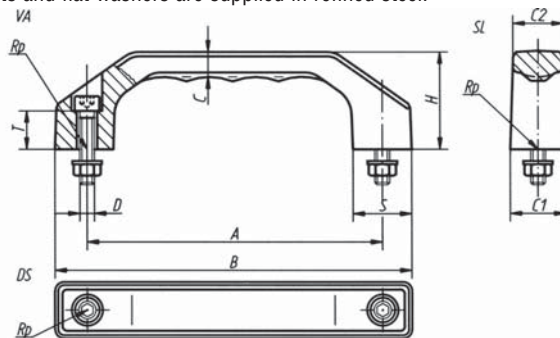


Material, surface finish:

Glass-fibre reinforced thermo-plastic, matt-finished black or orange with fine texture.

Note:

These handles possess extreme torsional strength and are highly operator friendly. Fastening screws, nuts and flat washers are supplied. For wet areas, the fastening screws, nuts and flat washers are supplied in refined steel.



Stirrup-Shaped Handles in thermoplastic

Order No. Black	Order No. Black for wet areas	Order No. Orange	Order No. Orange for wet areas	A	B	C	C1	C2	D	H	S	T	Approx. weight g
06916-100051	06916-100052	06916-100009	06916-xxxxxx	100	122	8,5	19	17	M 5 x 22	33	20	13	49
06916-120061	06916-120062	06916-120009	06916-xxxxxx	120	146	10,5	23	20,5	M 6 x 25	39	24	15	88
06916-140081	06916-140082	06916-140009	06916-xxxxxx	140	170	12	27	24	M 8 x 30	45	28	16	158
06916-160081	06916-160082	06916-160009	06916-xxxxxx	160	194	13,5	31	27,5	M 8 x 35	52	32	20	212
06916-180081	06916-180082	06916-180009	06916-xxxxxx	180	218	15,5	35	31	M 10 x 40	58	36	20	350

Sample order: Stirrup-Shaped Handle 06916-140082

xxxxxx - on application