

Lightweight Handles



Material:

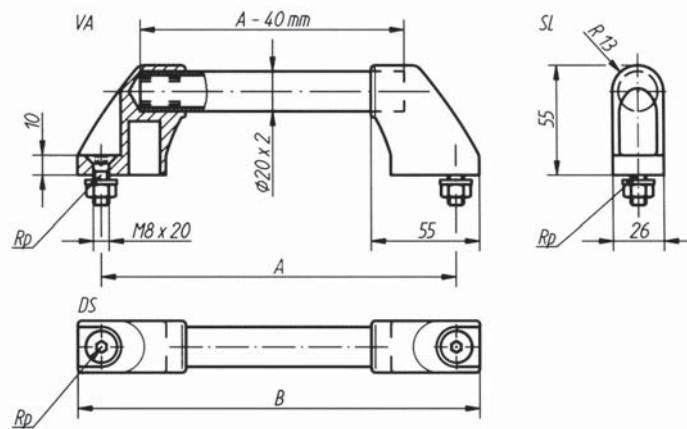
Grip legs in black glass-fibre reinforced thermoplastic, connecting tube in aluminium

Note:

The grip legs have four clamping webs close to the tube accommodation. These clamping webs are shaved away when the connecting tube is inserted (push-fit). In this way, an exact fit is generated. Black galvanised fastening screws as well as suitable washers and nuts are supplied.

Form A
connecting tube ground
and natural colour
anodised

Form B
connecting tube with
serrated plastic coating



Lightweight Handles

Order No. Form A	Order No. Form B	A	B	Approx. weight g
06926-180	06926-1803	180	204	165
06926-200	06926-2003	200	224	175
06926-250	06926-2503	250	274	185
06926-300	06926-3003	300	324	200
06926-350	06926-3503	350	374	210
06926-400	06926-4003	400	424	220
06926-500	06926-5003	500	524	245
06926-600	06926-6003	600	624	270

Sample order: Lightweight Handle 06926-200