

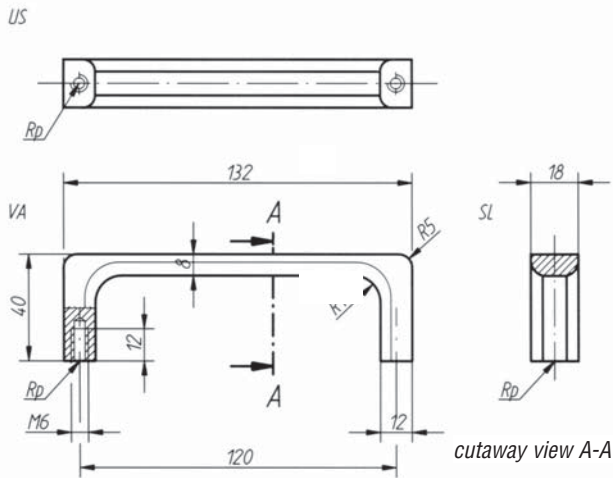
Apparatus Handles



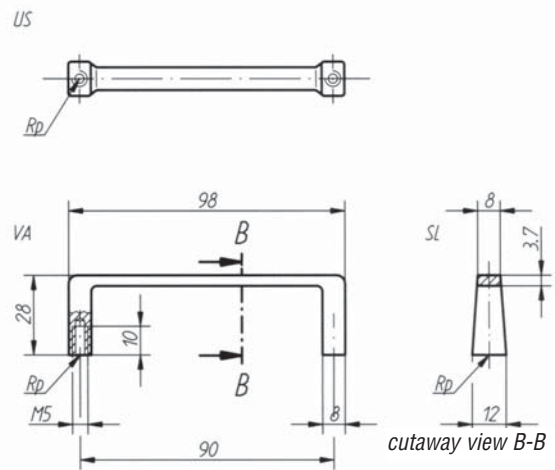
Material:
AlMgSi 0.5

Surface finish:
Matt-finished, black and natural colour anodised

Form A



Form B



Apparatus Handles

Order No. black anodised		Order No. natural colour anodised		Approx. weight g
06929-12001	Form A	06929-12003	Form A	70
06929-09001	Form B	06929-09003	Form B	10

Sample order: Apparatus Handle 06929-12001