

Five Lobe Grips



Material:

Black duroplastic FS 31, bush and threaded bolt in steel, galvanized or stainless steel natural finish

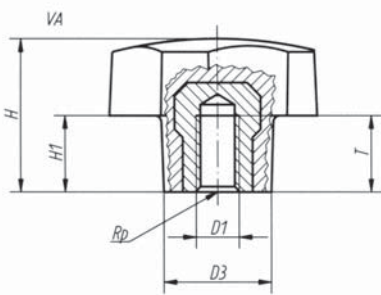
Surface finish:

Deburred and high-polish finish

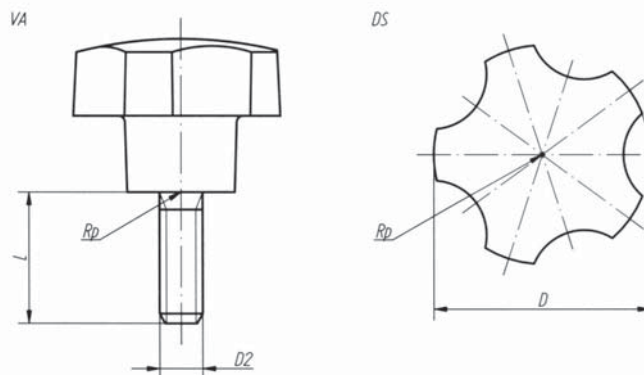
Note:

Other colours available on request.

Five Lobe Grip with internal thread



Five Lobe Grip with external thread



Five Lobe Grips with internal thread

Order No. steel	Order No. stainless steel	D	D1	D3	H	H1	T	Steel	Stainless steel
30 3205*	-	32	M 5	16	22,4	11,2	10	-	-
30 3206*	30 3206 N	32	M 6	16	22,4	11,2	9	9	-
-	30 3208 N	32	M 8	16	22,4	11,2	-	-	13
30 4006	-	40	M 6	20	28	14	12	-	-
30 4008**	30 4008 N	40	M 8	20	28	14	14	13	-
30 4010	30 4010 N	40	M 10	20	28	14	14	13	-
30 5008**	-	50	M 8	25	35	17,5	14	-	-
30 5010	30 5010 N	50	M 10	25	35	17,5	14	13	-

Five Lobe Grips with external thread

Order No. steel	Order No. stainless steel	L = Screw length ****				Stainless steel	D	D2****	D3	H	H1	
		Steel										
30 3206***	30 3206 020 N	12	-	18	-	-	20	32	M 6	16	22,4	11,2
30 3208***	30 3208 020 N	-	16	-	20	24	-	32	M 8	16	22,4	11,2
30 4006***	-	12	-	18	-	-	-	40	M 6	20	28	14
30 4008***	30 4008 020 N	-	16	-	20	24	-	40	M 8	20	28	14
30 4010***	30 4010 030 N	-	-	-	20	-	30	40	M10	20	28	14
30 5008***	-	-	16	-	-	24	-	50	M 8	25	35	17,5
30 5010***	305010 030 N	-	-	-	20	-	30	50	M 10	25	35	17,5

Sample order: Five Lobe Grip 303208024
(Length L)

*Bush in brass ** Bush in copper-plated steel
***Add the desired screw length here, e.g. 024 for L = 24 mm
****Other external threads and screw lengths available on request