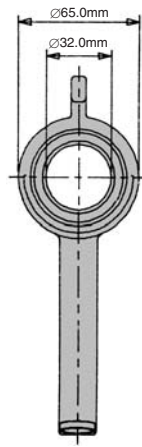
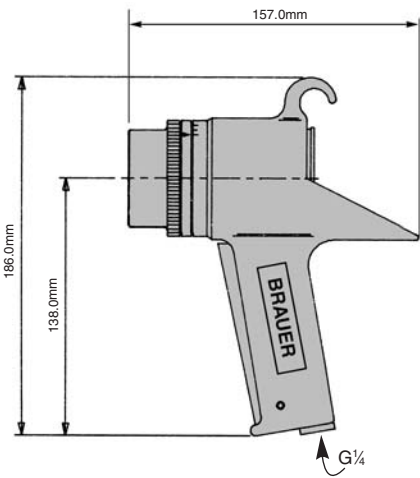


TRIGGER ACTION BLOW GUN AG32



Material: Aluminium Alloy.

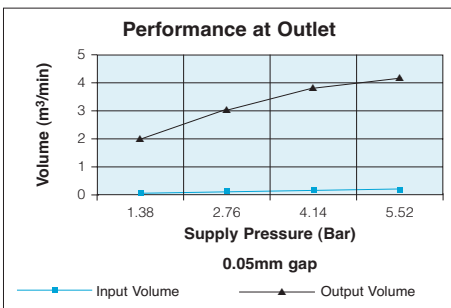
Weight: 0.54Kg

Standard Gap: Adjustable

dB(A) at: 5.5 bar is 78

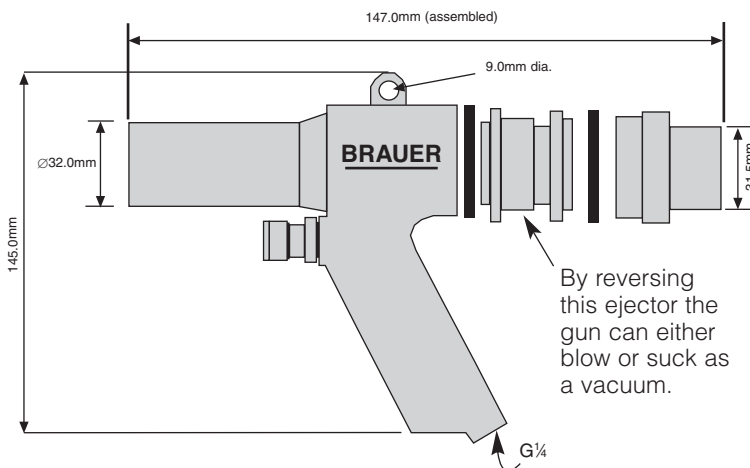
Standard Inlet Thread: G $\frac{1}{4}$

Options: $\frac{1}{4}$ " NPT
Please specify on order $\frac{1}{4}$ " NPTF



Bar	Vol in m³/min	Vol out m³/min
1.38	0.122	1.931
2.76	0.218	2.939
4.14	0.311	3.695
5.52	0.405	4.199

TRIGGER ACTION REVERSIBLE BLOW GUN CG22



Material: Nylon.

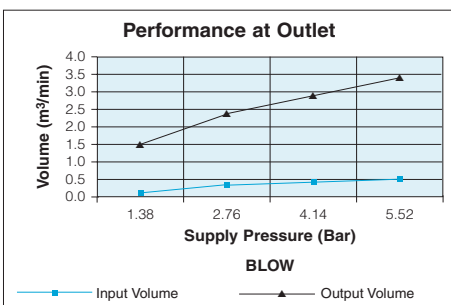
Weight: 0.15Kg

Standard Gap: Adjustable

dB(A) at: 5.5 bar is 79

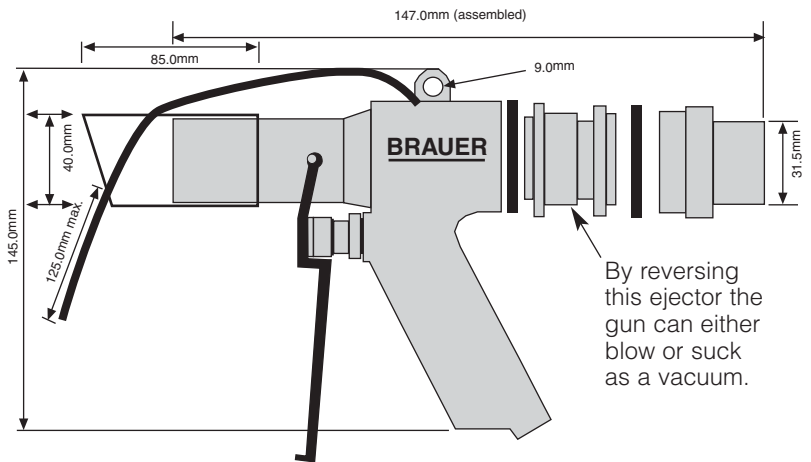
Standard Inlet Thread: G $\frac{1}{4}$

Option: $\frac{1}{4}$ " NPT
Please specify on order



Bar	Vol in m³/min	Vol out m³/min
1.38	0.181	1.512
2.76	0.295	2.352
4.14	0.396	2.856
5.52	0.513	3.360

CG22DH DEEP HOLE AIR GUN



Material: Nylon.

Weight: 0.20Kg

Standard Gap: Adjustable

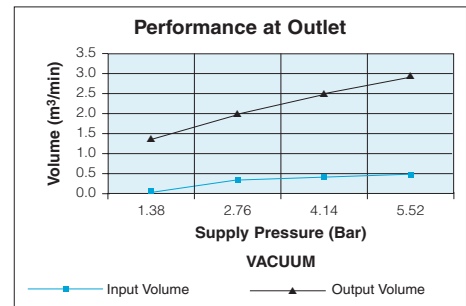
dB(A) at: 5.5 bar is 79

Standard Inlet Thread: G $\frac{1}{4}$

Option: $\frac{1}{4}$ " NPT

Please specify on order

Bar	Vol in m ³ /min	Vol out m ³ /min
1.38	0.185	1.344
2.76	0.304	2.016
4.14	0.421	2.520
5.52	0.531	2.940



ACCESSORIES FOR REVERSIBLE BLOW GUN

A wide range of accessories is available including Dust Bags, Extension Tubes, Brushes, Crevice Tool and Delivery Hose.



MODEL NO.	DESCRIPTION
DB22-1	DUST BAG includes clip
RB22-6	ROUND BRUSH *
ET22-3	EXTENSION TUBE
CN22-5	CREVICE TOOL *
FN22-2	FLARED NOZZLE *
CH22-4	EXTENSION HOSE

* can be used with both blow gun and drum pump