

## Clamp Levers with external thread and plastic handle



**Material:**

Handle in glass-fibre reinforced plastic with toothed wheel in die cast zinc, steel parts quality class 5.8

**Surface finish:**

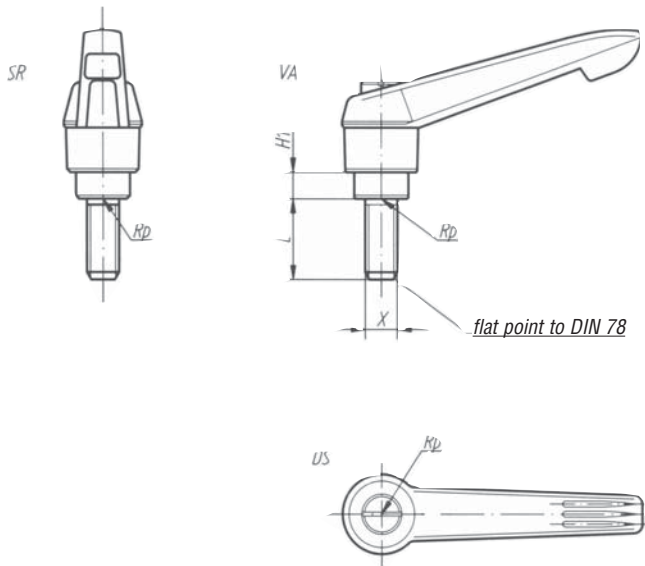
Steel parts black oxide finish

**Note:**

Standard colours are: anthracite grey RAL 7021, orange RAL 2004

Other colours available on request.

Other materials, surface finishes, special versions, etc. are available.



MACHINE ACCESSORIES

### Clamp Levers with external thread and plastic handle

Order No. anthracite grey	Order No. orange	Size	External thread X**	H1*	L = Screw length **													
51 105*** 90	51 105*** 02	1	M 5	4	10	15	20	25	30	35	40	45	50	-	-	-	-	-
51 106*** 90	51 106*** 02	1	M 6	4	10	15	20	25	30	35	40	45	50	-	-	-	-	-
51 206*** 90	51 206*** 02	2	M 6	6,5	-	15	20	25	30	35	40	45	50	55	60	-	-	-
51 208*** 90	51 208*** 02	2	M 8	6,5	-	15	20	25	30	35	40	45	50	55	60	-	-	-
51 210*** 90	51 210*** 02	2	M 10	6,5	-	15	20	25	30	35	40	45	50	55	60	-	-	-
51 310*** 90	51 310*** 02	3	M 10	10	-	15	20	25	30	35	40	45	50	55	60	-	-	-
51 410*** 90	51 410*** 02	4	M 10	10	-	-	20	25	30	35	40	45	50	55	60	70	80	90
51 412*** 90	51 412*** 02	4	M 12	10	-	-	20	25	30	35	40	45	50	55	60	70	80	90
51 512*** 90	51 512*** 02	5	M 12	12	-	-	-	25	30	35	40	45	50	55	60	70	80	90
51 516*** 90	51 516*** 02	5	M 16	12	-	-	-	25	30	35	40	45	50	55	60	70	80	90

Sample order: Clamp Lever 5141205002  
(Length L)

\*Dimension "H1" available in other lengths at extra charge \*\*Other external threads and screw lengths available on request  
\*\*\*Add the desired screw length here, e.g. 050 for L = 50 mm

## Clamp Levers with external thread and plastic handle, steel parts in stainless steel



**Material:**

Handle in glass-fibre reinforced plastic with toothed wheel in die cast zinc; steel parts in stainless steel, X 10 CrNiS 18 9 = 1.4305

**Surface finish:**

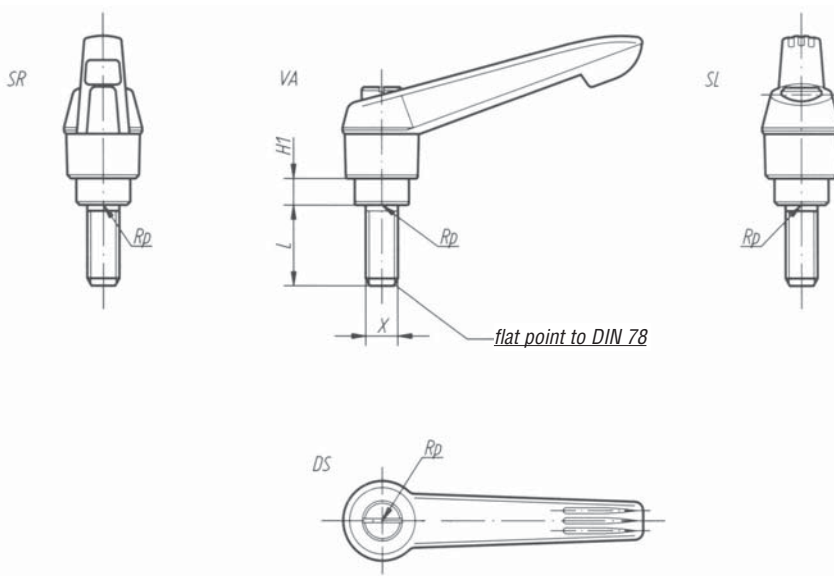
Steel parts natural finish

**Note:**

Standard colours are: anthracite grey RAL 7021, orange RAL 2004

Other colours available on request.

Other materials, surface finishes, special versions, etc. are available.



MACHINE ACCESSORIES

### Clamp Levers with external thread and plastic handle, steel parts in stainless steel

Order No. anthracite grey	Order No. orange	Size	External thread X**	H1*	L = Screw length **							
51 105*** 90 0S0 51 105*** 02 0S0		1	M 5	4	–	15	20	25	–	–	–	–
51 106*** 90 0S0 51 106*** 02 0S0		1	M 6	4	10	15	20	25	30	40	50	–
51 206*** 90 0S0 51 206*** 02 0S0		2	M 6	6,5	–	15	20	25	30	40	50	60
51 208*** 90 0S0 51 208*** 02 0S0		2	M 8	6,5	–	15	20	25	30	40	50	60
51 210*** 90 0S0 51 210*** 02 0S0		2	M 10	6,5	–	–	20	25	30	40	50	60
51 310*** 90 0S0 51 310*** 02 0S0		3	M 10	10	–	–	20	25	30	40	50	60
51 412*** 90 0S0 51 412*** 02 0S0		4	M 12	10	–	–	–	25	30	40	50	60
51 516*** 90 0S0 51 516*** 02 0S0		5	M 16	12	–	–	–	–	30	40	50	60

Sample order: Clamp Lever 50310050020S0  
(Length L)

\* Dimension "H1" available in other lengths at extra charge  
\*\*\* Add the desired screw length here, e.g. 050 for L = 50 mm

\*\*Other external threads and screw lengths available on request