

## Clamp Levers with internal thread



**Material:**

Handle in die cast zinc to DIN 1743, steel parts quality class 5.8

**Surface finish:**

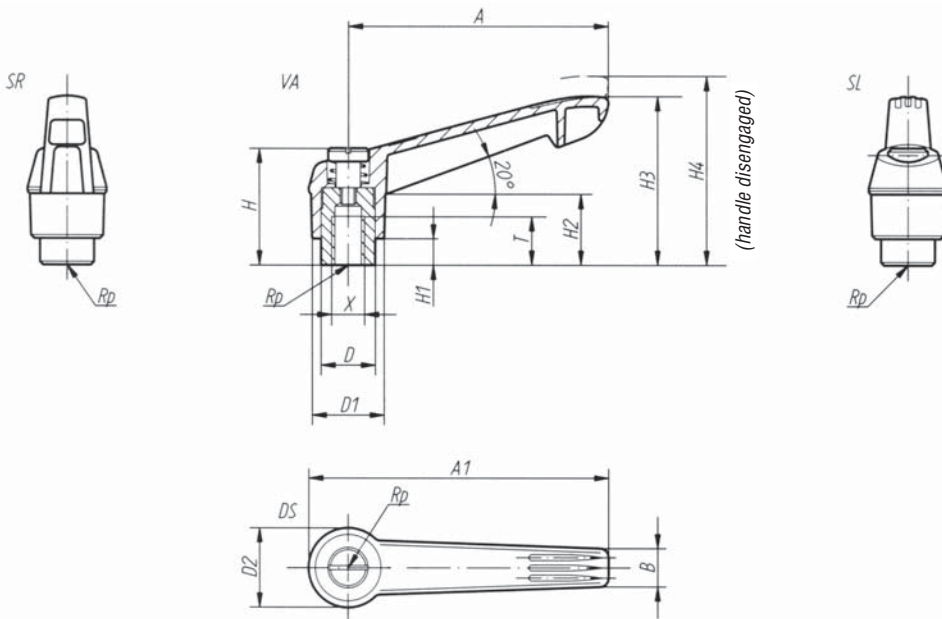
Handle plastic-coated, steel parts black oxide finish

**Note:**

Standard colours are:  
black satin finish, orange RAL 2004

Other colours available on request.

Other materials, surface finishes, special versions, etc. are available.



MACHINE ACCESSORIES

**Clamp Levers with internal thread**

Order No. black satin finish	Order No. orange	Size	Internal thread X*	T	D	D1	D2	H	H1**	H2	H3	H4	A	A1	B	No. of teeth	Approx. weight kg
50 104000 01	50 104000 02	1	M 4	9	10	13	14,5	24	4	15	29,5	33,5	40	47	7,5	16	0,030
50 105000 01	50 105000 02	1	M 5	9	10	13	14,5	24	4	15	29,5	33,5	40	47	7,5	16	0,030
50 106000 01	50 106000 02	1	M 6	9	10	13	14,5	24	4	15	29,5	33,5	40	47	7,5	16	0,030
50 206000 01	50 206000 02	2	M 6	12	13,5	18	19,5	29	6,5	17,5	41	45	65	75	9,5	20	0,070
50 208000 01	50 208000 02	2	M 8	12	13,5	18	19,5	29	6,5	17,5	41	45	65	75	9,5	20	0,070
50 308000 01	50 308000 02	3	M 8	14	16	21,5	23	37,5	10	24	53	57	80	91,5	11	22	0,110
50 310000 01	50 310000 02	3	M 10	14	16	21,5	23	37,5	10	24	53	57	80	91,5	11	22	0,110
50 410000 01	50 410000 02	4	M 10	17	19	25,5	27,5	42,5	10	27	61	65	95	109	13	24	0,190
50 412000 01	50 412000 02	4	M 12	17	19	25,5	27,5	42,5	10	27	61	65	95	109	13	24	0,190
50 512000 01	50 512000 02	5	M 12	23	23	30	32,5	51	12	33	72,5	77,5	110	126,5	15,5	26	0,300
50 516000 01	50 516000 02	5	M 16	23	23	30	32,5	51	12	33	72,5	77,5	110	126,5	15,5	26	0,300

Sample order: Clamp Lever 5031000001

\*Other internal threads available on request \*\*Dimension "H1" available in other lengths at extra charge

# Clamp Levers with internal thread, steel parts in stainless steel



**Material:**

Handle in die cast zinc to DIN 1743, steel parts in stainless steel, X 10 CrNiS 18 9 = 1.4305

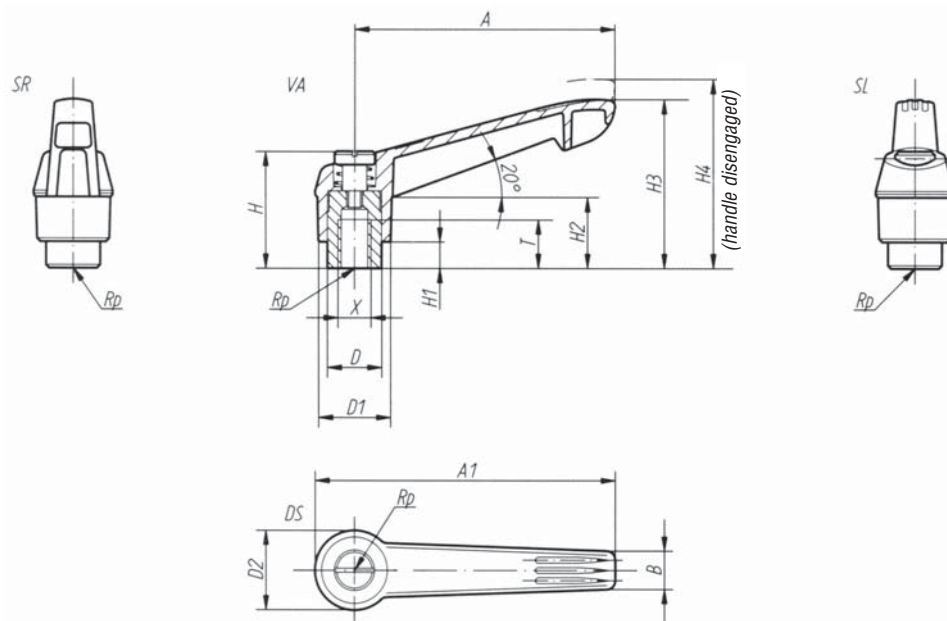
**Surface finish:**

Handle plastic-coated, steel parts natural finish

**Note:**

Standard colours are:  
black satin finish, orange RAL 2004

Other colours available on request.  
Other materials, surface finishes, special versions, etc. are available.



**Clamp Levers with internal thread, steel parts in stainless steel**

Order No. black satin finish	Order No. orange	Size	Internal thread X*	T	D	D1	D2	H	H1**	H2	H3	H4	A	A1	B	No. of teeth	Approx. weight kg
50 105000 01 OS0 50 105000 02 OS0		1	M 5	9	10	13	14,5	24	4	15	29,5	33,5	40	47	7,5	16	0,030
50 106000 01 OS0 50 106000 02 OS0		1	M 6	9	10	13	14,5	24	4	15	29,5	33,5	40	47	7,5	16	0,030
50 206000 01 OS0 50 206000 02 OS0		2	M 6	12	13,5	18	19,5	29	6,5	17,5	41	45	65	75	9,5	20	0,070
50 208000 01 OS0 50 208000 02 OS0		2	M 8	12	13,5	18	19,5	29	6,5	17,5	41	45	65	75	9,5	20	0,070
50 308000 01 OS0 50 308000 02 OS0		3	M 8	14	16	21,5	23	37,5	10	24	53	57	80	91,5	11	22	0,110
50 310000 01 OS0 50 310000 02 OS0		3	M 10	14	16	21,5	23	37,5	10	24	53	57	80	91,5	11	22	0,110
50 410000 01 OS0 50 410000 02 OS0		4	M 10	17	19	25,5	27,5	42,5	10	27	61	65	95	109	13	24	0,190
50 412000 01 OS0 50 412000 02 OS0		4	M 12	17	19	25,5	27,5	42,5	10	27	61	65	95	109	13	24	0,190
50 512000 01 OS0 50 512000 02 OS0		5	M 12	23	23	30	32,5	51	12	33	72,5	77,5	110	126,5	15,5	26	0,300
50 516000 01 OS0 50 516000 02 OS0		5	M 16	23	23	30	32,5	51	12	33	72,5	77,5	110	126,5	15,5	26	0,300

Sample order: Clamp Lever 50310000010S0

\*Other internal threads available on request

\*\*Dimension "H1" available in other lengths at extra charge