

# Clamp Levers with internal thread and plastic handle



**Material:**

Handle in glass-fibre reinforced plastic with toothed wheel in die cast zinc, steel parts quality class 5.8

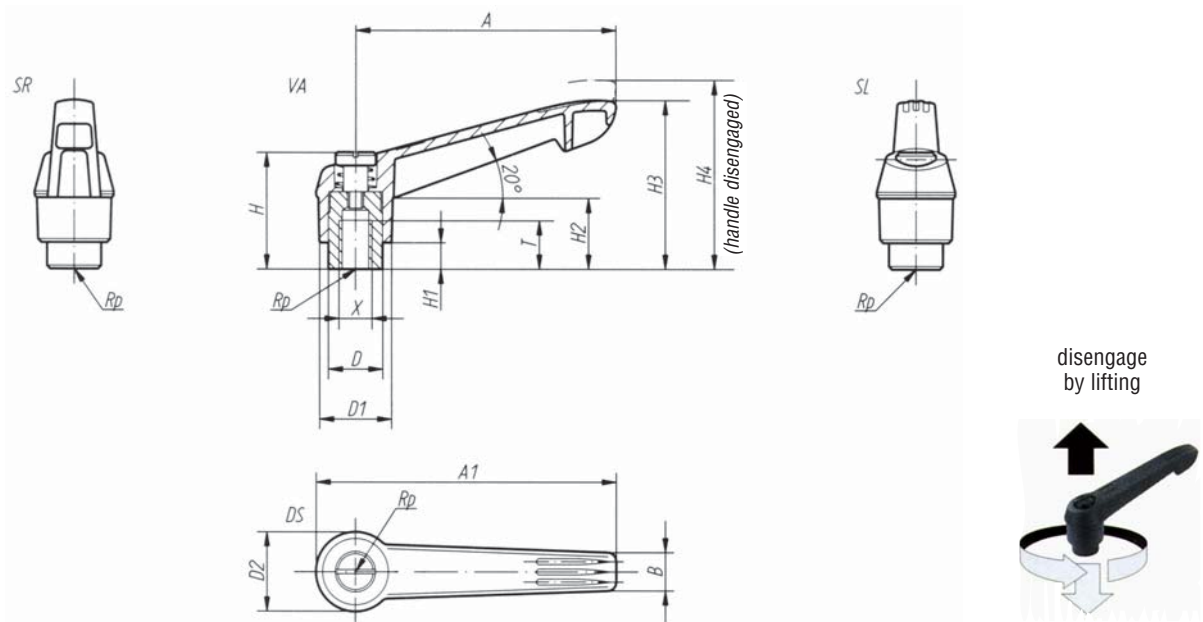
**Surface finish:**

Steel parts black oxide finish

**Note:**

Standard colours are:  
anthracite grey RAL 7021, orange RAL 2004

Other colours available on request.  
Other materials, surface finishes, special versions, etc. are available.



**Clamp Levers with internal thread and plastic handle**

Order No. anthracite grey	Order No. orange	Size	Internal thread X*	T	D	D1	D2	H	H1**	H2	H3	H4	A	A1	B	No. of teeth	Approx. weight kg
51 104000 90	51 104000 02	1	M 4	9	10	13	14,5	24	4	15	29,5	33,5	40	47	7,5	16	0,013
51 105000 90	51 105000 02	1	M 5	9	10	13	14,5	24	4	15	29,5	33,5	40	47	7,5	16	0,013
51 106000 90	51 106000 02	1	M 6	9	10	13	14,5	24	4	15	29,5	33,5	40	47	7,5	16	0,013
51 206000 90	51 206000 02	2	M 6	12	13,5	18	19,5	29	6,5	17,5	41	45	65	75	9,5	20	0,029
51 208000 90	51 208000 02	2	M 8	12	13,5	18	19,5	29	6,5	17,5	41	45	65	75	9,5	20	0,029
51 308000 90	51 308000 02	3	M 8	14	16	21,5	23	37,5	10	24	53	57	80	91,5	11	22	0,050
51 310000 90	51 310000 02	3	M 10	14	16	21,5	23	37,5	10	24	53	57	80	91,5	11	22	0,050
51 410000 90	51 410000 02	4	M 10	17	19	25,5	27,5	42,5	10	27	61	65	95	109	13	24	0,078
51 412000 90	51 412000 02	4	M 12	17	19	25,5	27,5	42,5	10	27	61	65	95	109	13	24	0,078
51 512000 90	51 512000 02	5	M 12	23	23	30	32,5	51	12	33	72,5	77,5	110	126,5	15,5	26	0,130
51 516000 90	51 516000 02	5	M 16	23	23	30	32,5	51	12	33	72,5	77,5	110	126,5	15,5	26	0,130

Sample order: Clamp Lever 5120800090

\*Other internal threads available on request

\*\*Dimension "H1" available in other lengths at extra charge

# Clamp Levers with internal thread and plastic handle, steel parts in stainless steel



**Material:**

Handle in glass-fibre reinforced plastic with toothed wheel in die cast zinc; steel parts in stainless steel, X 10 CrNiS 18 9 = 1.4305

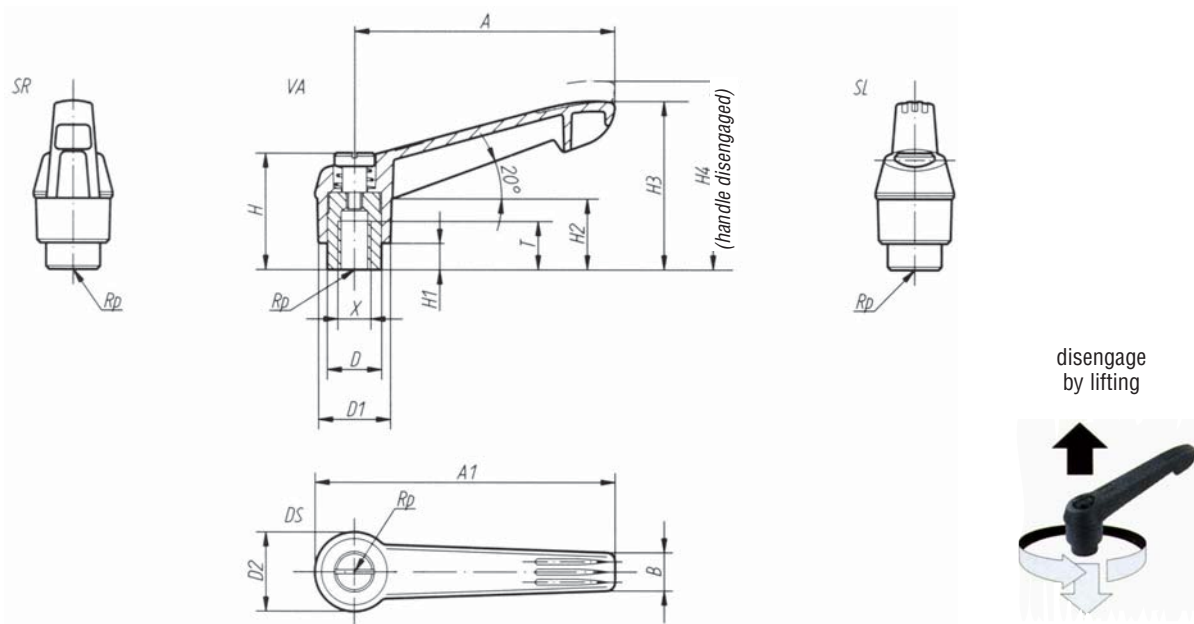
**Surface finish:**

Steel parts natural finish

**Note:**

Standard colours are: anthracite grey RAL 7021, orange RAL 2004

Other colours available on request. Other materials, surface finishes, special versions, etc. are available.



**Clamp Levers with internal thread and plastic handle, steel parts in stainless steel**

Order No. anthracite grey	Order No. orange	Size	Internal thread X*	T	D	D1	D2	H	H1**	H2	H3	H4	A	A1	B	No. of teeth	Approx. weight kg
51 105000 90 OS0 51 105000 02 OS0		1	M 5	9	10	13	14,5	24	4	15	29,5	33,5	40	47	7,5	16	0,013
51 106000 90 OS0 51 106000 02 OS0		1	M 6	9	10	13	14,5	24	4	15	29,5	33,5	40	47	7,5	16	0,013
51 206000 90 OS0 51 206000 02 OS0		2	M 6	12	13,5	18	19,5	29	6,5	17,5	41	45	65	75	9,5	20	0,029
51 208000 90 OS0 51 208000 02 OS0		2	M 8	12	13,5	18	19,5	29	6,5	17,5	41	45	65	75	9,5	20	0,029
51 308000 90 OS0 51 308000 02 OS0		3	M 8	14	16	21,5	23	37,5	10	24	53	57	80	91,5	11	22	0,050
51 310000 90 OS0 51 310000 02 OS0		3	M 10	14	16	21,5	23	37,5	10	24	53	57	80	91,5	11	22	0,050
51 410000 90 OS0 51 410000 02 OS0		4	M 10	17	19	25,5	27,5	42,5	10	27	61	65	95	109	13	24	0,078
51 412000 90 OS0 51 412000 02 OS0		4	M 12	17	19	25,5	27,5	42,5	10	27	61	65	95	109	13	24	0,078
51 512000 90 OS0 51 512000 02 OS0		5	M 12	23	23	30	32,5	51	12	33	72,5	77,5	110	126,5	15,5	26	0,130
51 516000 90 OS0 51 516000 02 OS0		5	M 16	23	23	30	32,5	51	12	33	72,5	77,5	110	126,5	15,5	26	0,130

Sample order: Clamp Lever 51310000020S0

\*Other internal threads available on request

\*\*Dimension "H1" available in other lengths at extra charge