

Tension Levers with internal thread



Material:

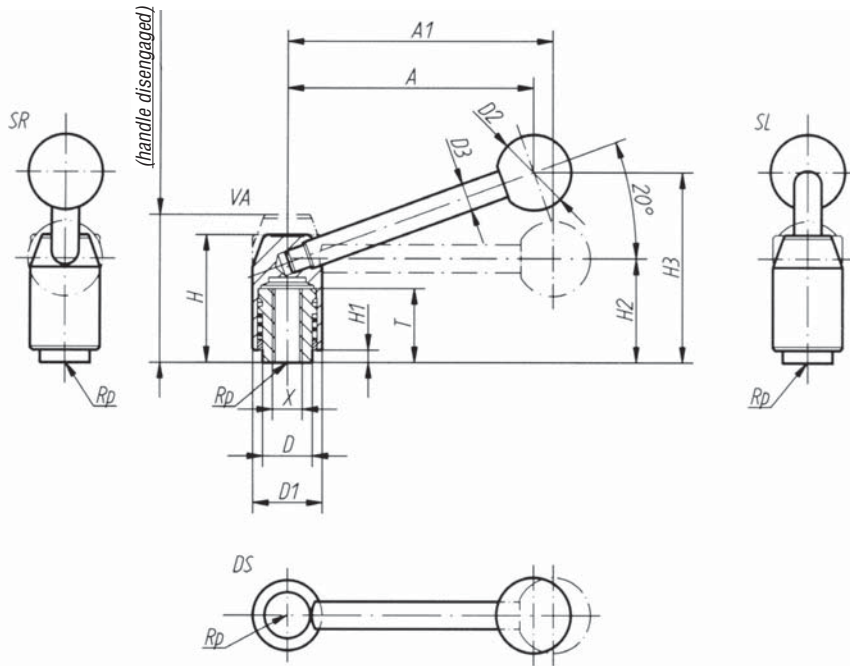
Steel parts quality class 5.8, black plastic ball knob

Surface finish:

Black oxide finish

Note:

Other materials, surface finishes, special versions, etc. are available.



disengage
by lifting



Tension Levers with internal thread

Order No. black oxide finish 0 degrees	Order No. black oxide finish 20 degrees	Size	Internal thread X*	T	D	D1	D2	D3	H	H1**	H2	H3	H4	A**	A1**	No. of teeth	Approx. weight kg
05 108000 00	05 108000 20	1	M 8	23	17	24	25	10	44	4	36,5	64	49	81	87	28	0,170
05 110000 00	05 110000 20	1	M 10	23	17	24	25	10	44	4	36,5	64	49	81	87	28	0,170
05 210000 00	05 210000 20	2	M 10	26	20	28	30	11	51	5	41,5	76	49	98	106	30	0,260
05 212000 00	05 212000 20	2	M 12	26	20	28	30	11	51	5	41,5	76	57	98	106	30	0,260
05 312000 00	05 312000 20	3	M 12	30	24	33	32	12	57	5	46	87	64	118	128	35	0,400
05 316000 00	05 316000 20	3	M 16	30	24	33	32	12	57	5	46	87	64	118	128	35	0,400
05 416000 00	05 416000 20	4	M 16	35	30	41	37	14	67	6	55	100	75	136	147	38	0,670
05 420000 00	05 420000 20	4	M 20	35	30	41	37	14	67	6	55	100	75	136	147	38	0,670
05 424000 00	05 424000 20	4	M 24	35	30	41	37	14	67	6	55	100	75	136	147	38	1,000

Sample order: Tension Lever 0531200020

*Other internal threads available on request **Dimension "H1", "A" and "A1" available in other lengths at extra charge

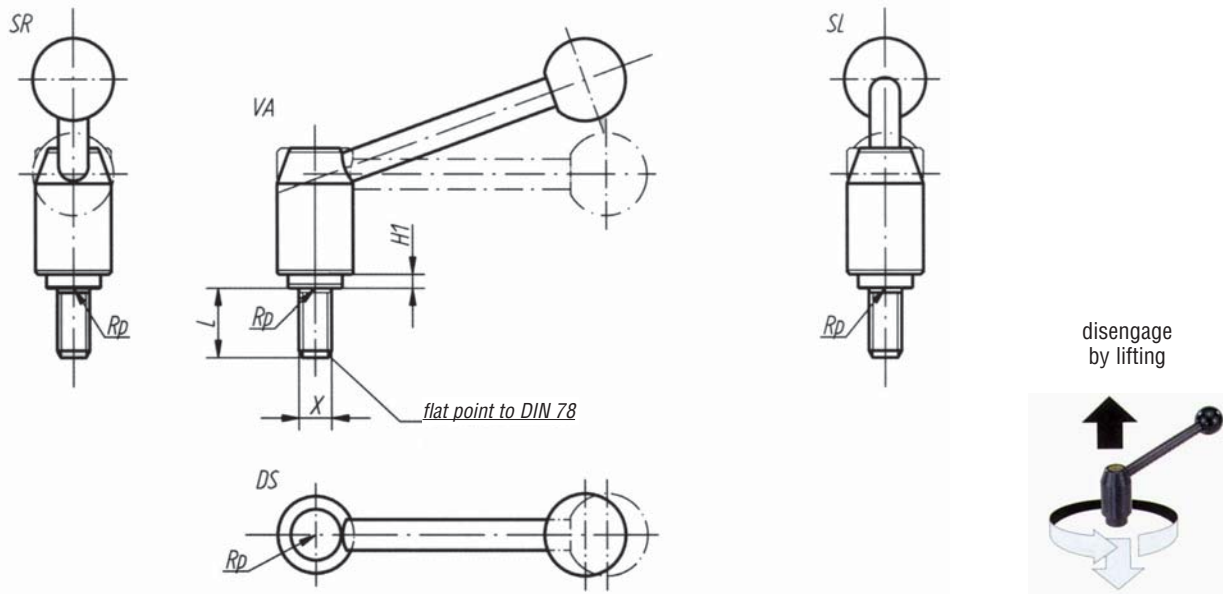
Tension Levers with external thread



Material:
Steel parts quality class 5.8, black plastic ball knob

Surface finish:
Black oxide finish

Note:
Other materials, surface finishes, special versions, etc. are available.



Clamp Levers with external thread and plastic handle, steel parts in stainless steel

Order No. black oxide finish 0 degrees	Order No. black oxide finish 20 degrees	Size	External thread X**	H1*	L = Screw length **										
05 108*** 00	05 108*** 20	1	M 8	4	15	20	25	30	40	50	60	-	-	-	
05 110*** 00	05 110*** 20	1	M 10	4	15	20	25	30	40	50	60	-	-	-	
05 112*** 00	05 112*** 20	1	M 12	4	15	20	25	30	40	50	60	-	-	-	
05 212*** 00	05 212*** 20	2	M 12	5	-	20	25	30	40	50	60	-	-	-	
05 312*** 00	05 312*** 20	3	M 12	5	-	20	25	30	40	50	60	70	80	90	
05 316*** 00	05 316*** 20	3	M 16	5	-	20	25	30	40	50	60	70	80	90	
05 416*** 00	05 416*** 20	4	M 16	6	-	-	-	30	40	50	60	70	80	90	
05 420*** 00	05 420*** 20	4	M 20	6	-	-	-	30	40	50	60	70	80	90	
05 424*** 00	05 424*** 20	4	M 24	6	-	-	-	30	40	50	60	70	80	90	

Sample order: Tension Lever 0541605000
(Length L)

* Dimension "H1" available in other lengths at extra charge
*** Add the desired screw length here, e.g. 050 for L = 50 mm

**Other external threads and screw lengths available on request