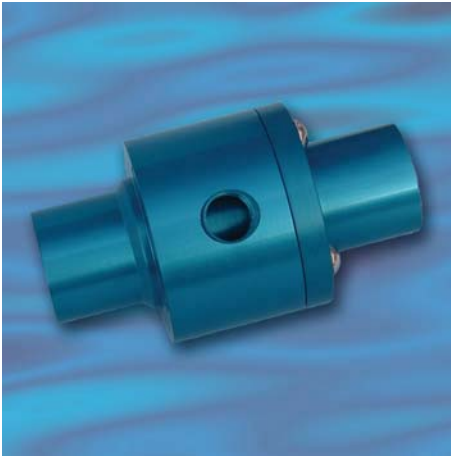
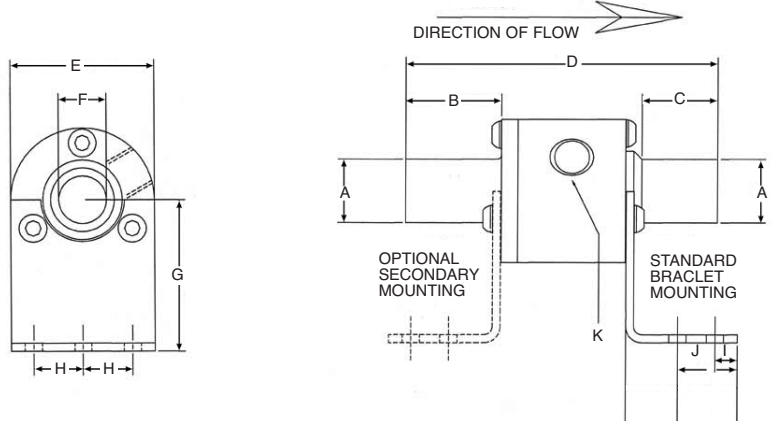
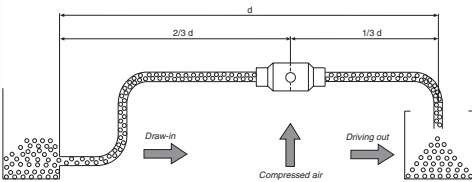


ALUMINIUM RING VAC



Material: Anodised aluminium

Option: available in NPT or NPTF please specify on order



MODEL	Weight	Vacuum KPa	Air Consumption m ³ /min
RV1AL	0.28Kg	-11	0.43
RV2AL	0.31Kg	-8	0.74
RV3AL	0.39Kg	-7	0.94
RV4AL	0.48Kg	-6.5	1.28
RV5AL	0.68Kg	-6	1.66
RV6AL	0.79Kg	-4	1.99

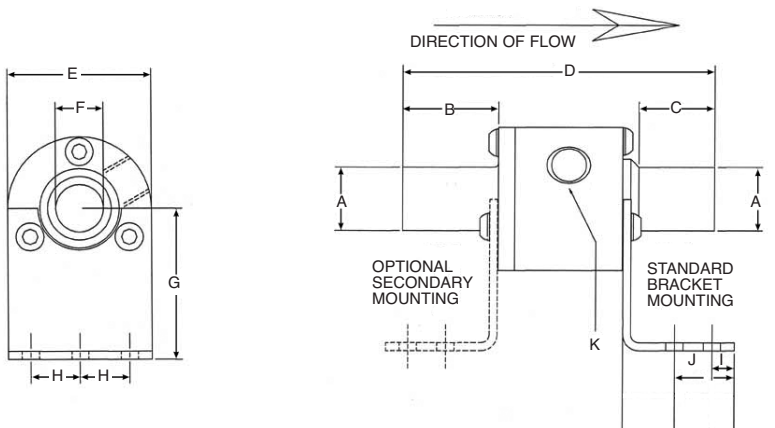
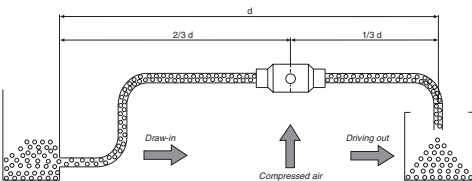
Part No.	A	B	C	D	E	F	G	H	I	J	K
RV1AL	25.4	35.1	31.8	127	57.2	19.1	60.3	19.7	9.5	23.8	G ¹ / ₄
RV2AL	31.8	35.1	31.8	127	63.5	25.4	60.3	19.7	9.5	23.8	G ¹ / ₄
RV3AL	38.1	35.1	38.1	127	69.9	38.1	60.3	19.7	9.5	23.8	G ³ / ₈
RV4AL	50.8	35.1	38.1	127	82.5	44.4	60.3	19.7	9.5	23.8	G ³ / ₈
RV5AL	64	38.1	38.1	127	95	57.2	65	19.7	9.5	23.8	G ³ / ₈
RV6AL	76	38.1	38.1	140	108	69.9	70	19.7	9.5	23.8	G ¹ / ₂

STAINLESS STEEL RING VAC



Material: Stainless Steel (Grade 304)

Option: available in NPT or NPTF please specify on order



MODEL	Weight	Vacuum KPa	Air Consumption m ³ /min
RV1SS	0.92Kg	-11	0.43
RV2SS	1.0Kg	-8	0.74
RV3SS	1.1Kg	-7	0.94
RV4SS	1.6Kg	-6.5	1.28

Part No.	A	B	C	D	E	F	G	H	I	J	K
RV1SS	25.4	35.1	31.8	127	57.2	19.1	60.3	19.7	9.5	23.8	G ¹ / ₄
RV2SS	31.8	35.1	31.8	127	63.5	25.4	60.3	19.7	9.5	23.8	G ¹ / ₄
RV3SS	38.1	35.1	38.1	127	69.9	38.1	60.3	19.7	9.5	23.8	G ³ / ₈
RV4SS	50.8	35.1	38.1	127	82.5	44.4	60.3	19.7	9.5	23.8	G ³ / ₈