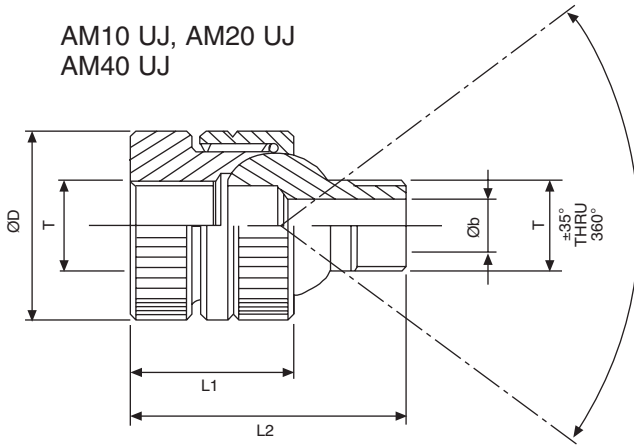


NEW

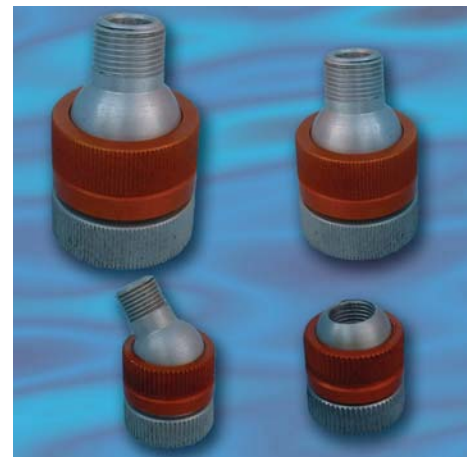
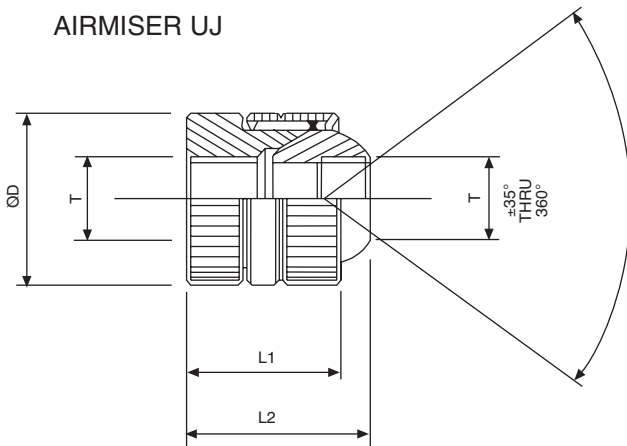
AIRMOVER UNIVERSAL CONNECTOR JOINTS

Brauer are pleased to advise details of a new range of Airmover and Airmiser Universal Joints. These new universal joints enable your customer to mount the Airmover at the exact angle required for optimum effect.

AM10 UJ, AM20 UJ
AM40 UJ



AIRMISER UJ



ITEM	Øb	T	ØD	L1	L2
UJ10	5	G $\frac{1}{8}$	20	19	34
UJ20	8	G $\frac{1}{4}$	28	25	45
UJ40	10	G $\frac{3}{8}$	35	32	55
UJ2	5	G $\frac{1}{4}$	20	19	23

Standard threads are G, for NPT threads add suffix 'N'