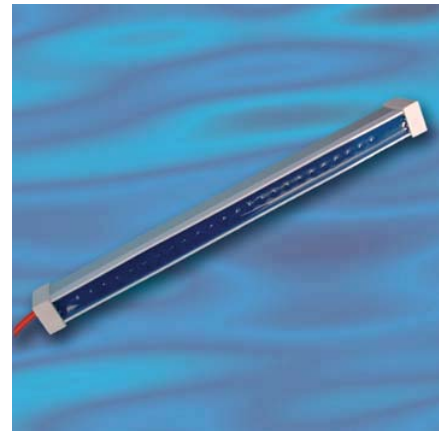
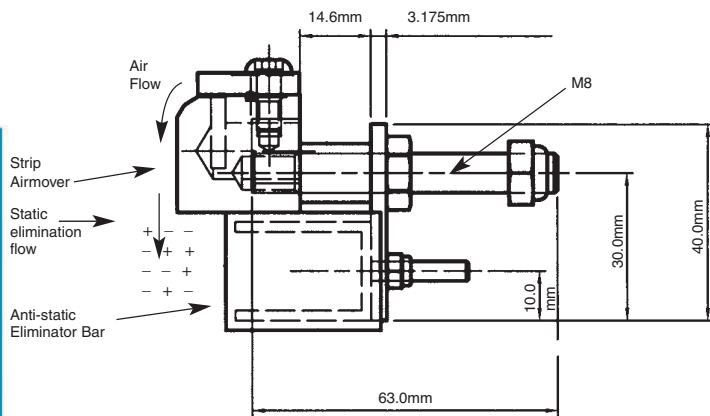


COMPRESSED AIR STATIC ELIMINATORS

When ordinary compressed air is used to remove dust, its efficiency is limited. If the static charge holding the dust to the product is not neutralised, both the dust and the product will remain charged and capable of re-contamination. With ionised air, the static charge is eliminated, allowing high quality cleaning.

ANTI-STATIC STRIP AIRMOVERS



Model range AS combines a powerful static eliminator with a strip airmover which amplifies compressed air by a factor of 25 to produce a high speed, high volume sheet of ionised air. It is used to remove dust from mouldings, sheets and electrical assemblies.

Construction: Model AB, Eliminator bar fitted to Aluminium or Stainless Steel Strip Airmover.

Size: Available in lengths of 150mm, 300mm, 450mm, 600mm, 750mm, 900mm.

Power Unit: Use with PU50 range Power Unit

Cable: 2m of HT cable - other lengths can be specified at time of order.

Air supply: The output of the strip airmover is regulated by the incoming air pressure. The air pressure may be 1-7 Bar. The air should be clean and dry. It is important that the air supply and pipe work can deliver the required volume of compressed air.

Model Numbers	
Aluminium Model No.	Stainless Steel Model No.
AS150	AS150SS
AS300	AS300SS
AS450	AS450SS
AS600	AS600SS
AS750	AS750SS
AS900	AS900SS

Supply Pressure in Bar	Vol in m ³ /min
2	0.019
3	0.022
4	0.027
5	0.033
6	0.039