

HEAVY DUTY PUSH-PULL CLAMPS

- **Features:**

These clamps are of exceptionally robust construction featuring cast and machined handles and bases. The clamps are designed with a low plunger height and with the mechanism guarded within the base to avoid finger traps.

- Models P600, P1200, P2500 and P5000 have handles of normal length for clamping. The long handled 'L' versions (P600L, P1200L, P2500L, and P5000L) have their handles either to the front or rear of the clamp according to the application and produce high forces which make them suitable for clamping or for light work such as swaging, rivetting, press fitting components, etc. All models are fitted with a comfortable, cushioned PVC handle grip.

- **Specification:**

The bases of all models, and the handles of models P600, P1200, P2500 and P5000 are machined S.G. iron castings.

The handles of the 'L' versions are of steel bar and mount in housings which are either machined steel castings or machined from steel bar.

- The plungers are of steel, and their precision ground diameter runs in a close-toleranced hole in the base casting.

All axles are of hardened steel and run in either the S.G. iron of the handle, or in the close-toleranced holes of hardened parts.

All models are supplied with a steel setscrew finished chemi-black.

HEAVY-DUTY PUSH-PULL CLAMPS

MODEL P600



Plunger: Ground Steel.
Locks at both extended & retracted ends of the stroke.

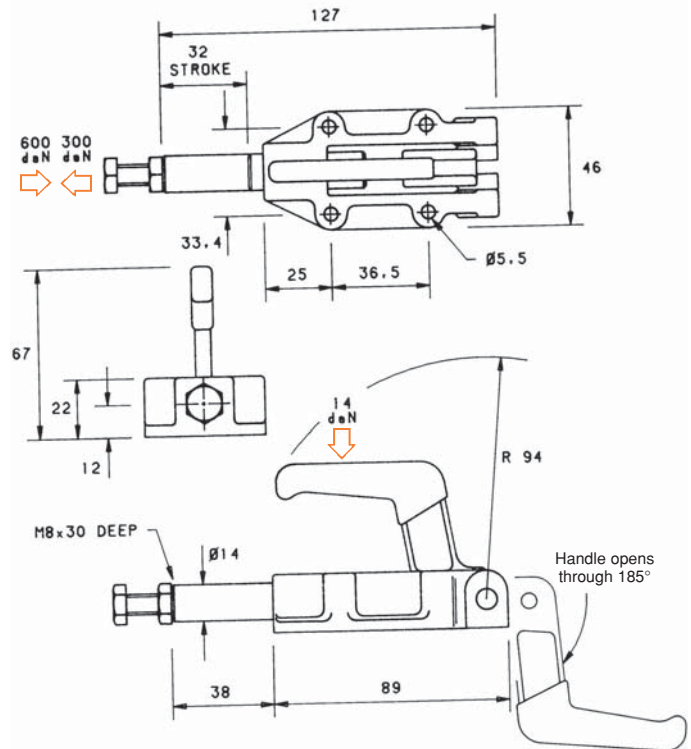
Base: SG Iron Casting.
Body mounting.

Nominal Holding Force:
600 daN

Weight:
0.45 Kg

Supplied complete with:
MB0840 Setscrew & nut.

See "Accessories" for other items.



MODEL P1200



Plunger: Ground Steel.
Locks at both extended & retracted ends of the stroke.

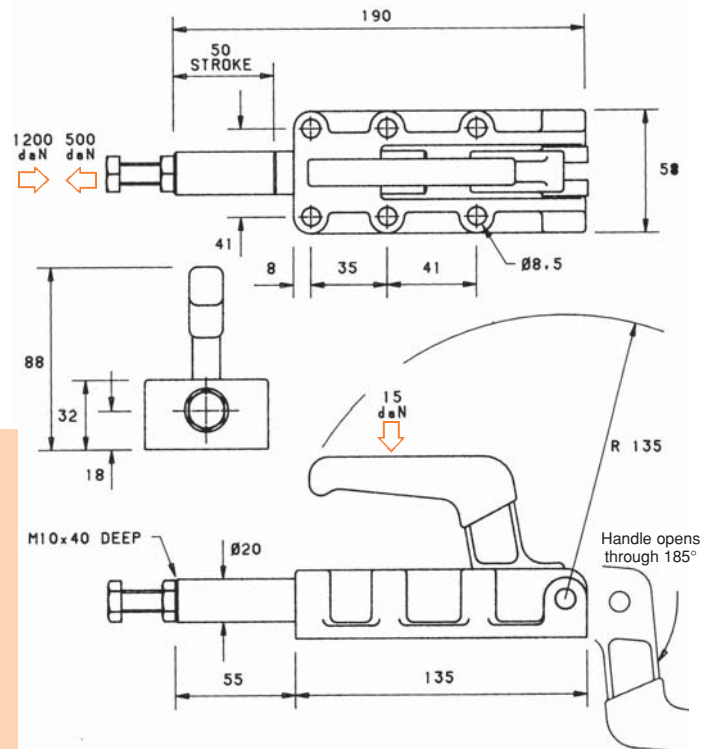
Base: SG Iron Casting.
Body mounting.

Nominal Holding Force:
1200 daN

Weight:
1.35 Kg

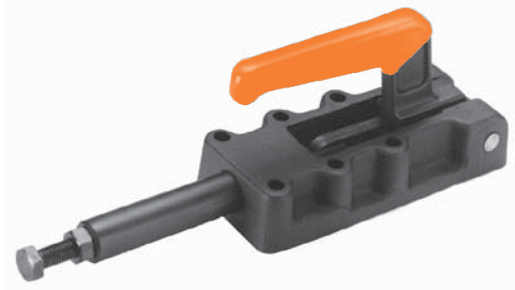
Supplied complete with:
MB1050 Setscrew & nut.

See "Accessories" for other items.



HEAVY-DUTY PUSH-PULL CLAMPS

MODEL P2500



Plunger: Ground Steel.
Locks at both extended & retracted ends of the stroke.

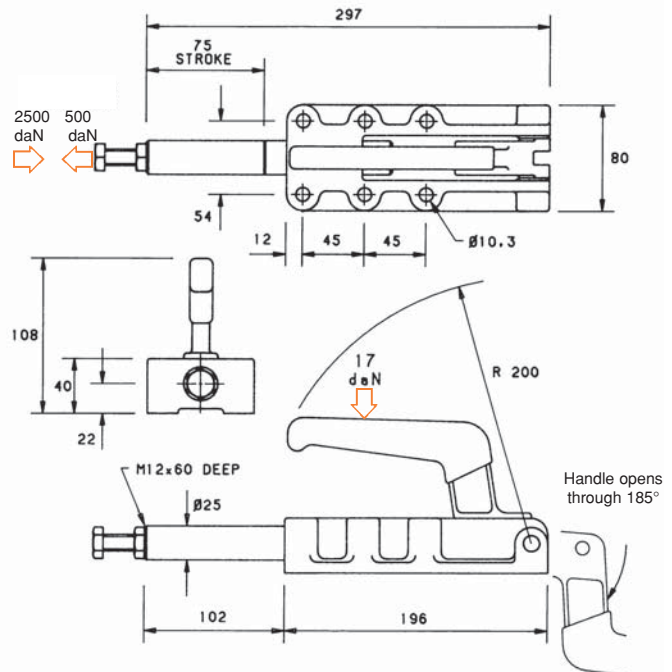
Base: SG Iron Casting.
Body mounting.

Nominal Holding Force:
2500 daN

Weight:
3.60 Kg

Supplied complete with:
MB1250 Setscrew & nut.

See "Accessories" for other items.



MODEL P5000



Plunger: Ground Steel.
Locks at both extended & retracted ends of the stroke.

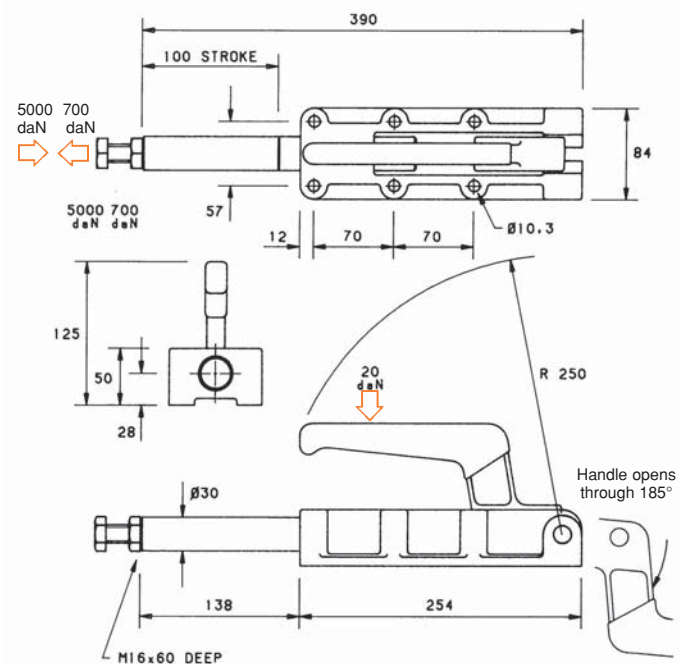
Base: SG Iron Casting.
Body mounting.

Nominal Holding Force:
5000 daN

Weight:
6.20 Kg

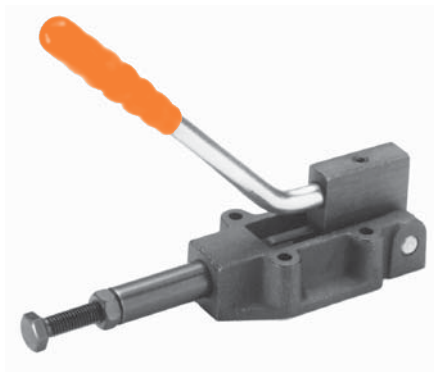
Supplied complete with:
MB1680 Setscrew & nut.

See "Accessories" for other items.



HEAVY-DUTY PUSH-PULL CLAMPS

MODEL P600L



Plunger: Ground Steel.
Locks at both extended & retracted ends of the stroke.

Base: SG Iron Casting.
Body mounting.

Nominal Holding Force:
600 daN

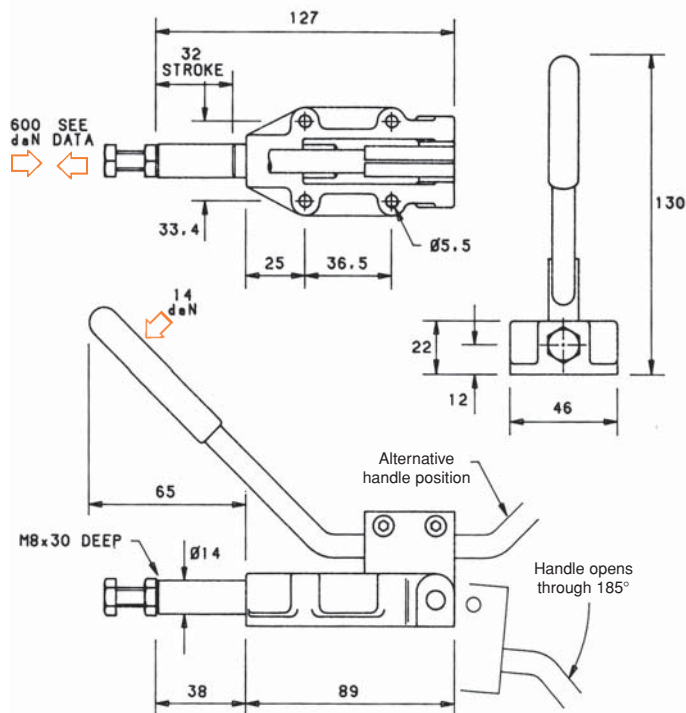
Weight:
0.55 Kg

Supplied complete with:
MB0840 Setscrew & nut.

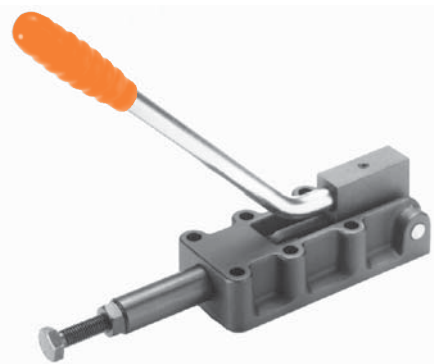
See "Accessories" for other items.

With 14 daN handle force the output force is:

Stroke	daN
Fully retracted	470
5 mm extended	110
10 mm "	70
15 mm "	75
20 mm "	80
25 mm "	85
30 mm "	146
31 mm "	190
Fully extended	580



MODEL P1200L



Plunger: Ground Steel.
Locks at both extended & retracted ends of the stroke.

Base: SG Iron Casting.
Body mounting.

Nominal Holding Force:
1200 daN

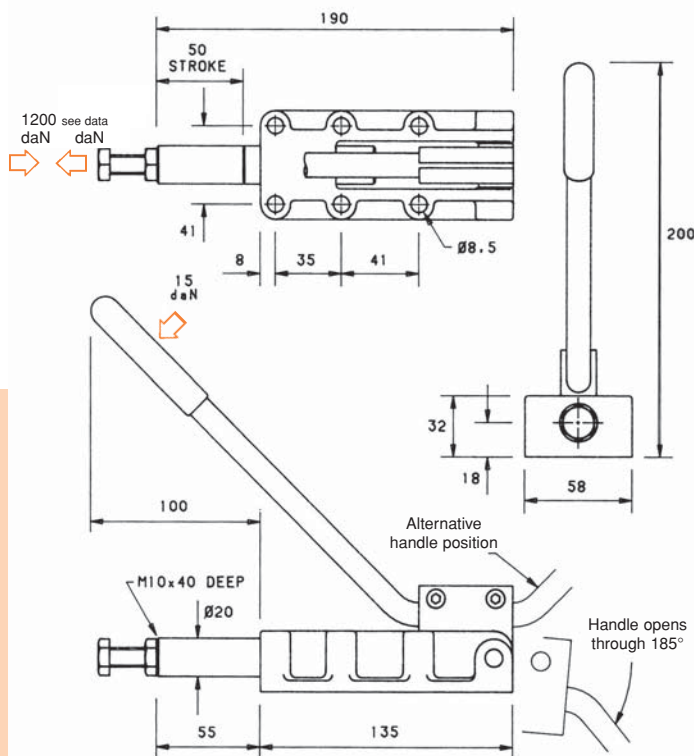
Weight:
1.60 Kg

Supplied complete with:
MB1050 Setscrew & nut.

See "Accessories" for other items.

With 15 daN handle force the output force is:

Stroke	daN
Fully retracted	705
5 mm extended	167
10 mm "	90
15 mm "	73
20 mm "	70
25 mm "	72
30 mm "	85
35 mm "	100
40 mm "	110
45 mm "	150
48 mm "	220
49 mm "	290
Fully extended	930



CLAMPING PRODUCTS

HEAVY-DUTY PUSH-PULL CLAMPS

MODEL P2500L



Plunger: Ground Steel.
Locks at both extended & retracted ends of the stroke.

Base: SG Iron Casting.
Body mounting.

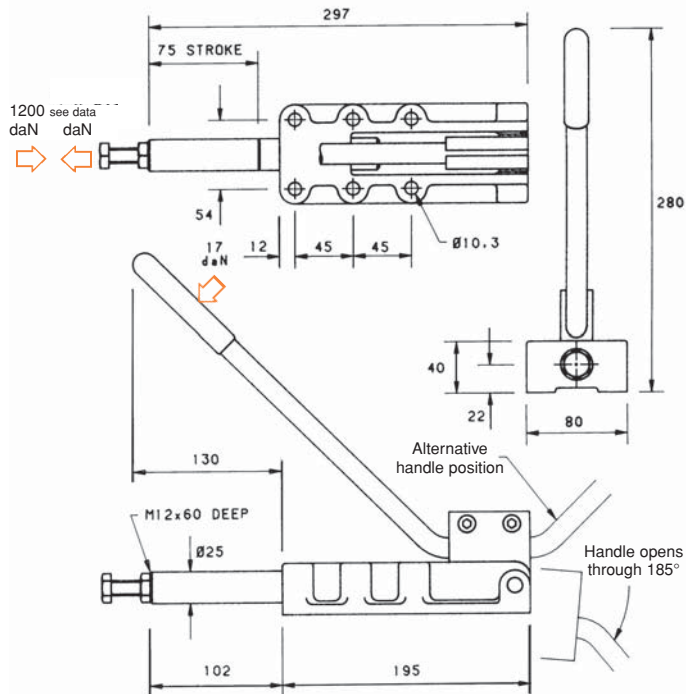
Nominal Holding Force:
2500 daN

Weight:
4.15 Kg

Supplied complete with:
MB1250 Setscrew & nut.

See "Accessories" for other items.

With 17 daN handle force the output force is:	daN
Fully retracted	1000
10 mm extended	100
20 mm "	72
30 mm "	60
40 mm "	70
50 mm "	88
60 mm "	118
70 mm "	190
72 mm "	230
74 mm "	353
Fully extended	1100



MODEL P5000L



Plunger: Ground Steel.
Locks at both extended & retracted ends of the stroke.

Base: SG Iron Casting.
Body mounting.

Nominal Holding Force:
5000 daN

Weight:
7.10 Kg

Supplied complete with:
MB1680 Setscrew & nut.

See "Accessories" for other items.

With 20 daN handle force the output force is:	daN
Fully retracted	1100
10 mm extended	180
20 mm "	110
30 mm "	75
40 mm "	80
50 mm "	82
60 mm "	100
70 mm "	100
80 mm "	130
90 mm "	190
95 mm "	250
97 mm "	310
99 mm "	450
Fully extended	1210

