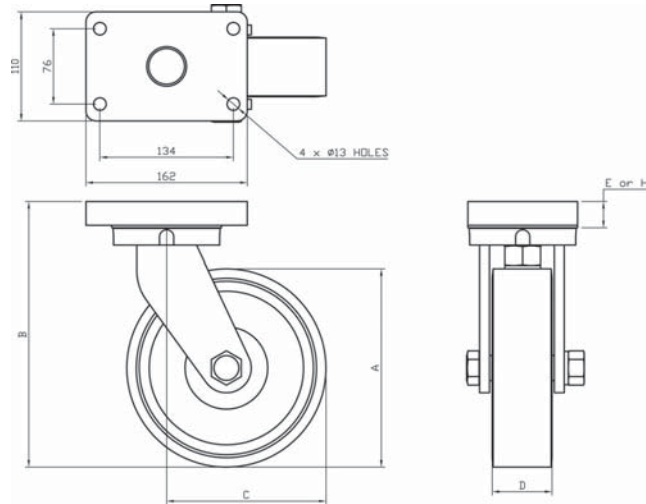


GG Series Swivel load rating 1500kg



WITH A VARIETY OF WHEEL OPTIONS (SEE TABLE BELOW)



SWIVEL

Note: Direct Bond Polyurethane Wheel shown

Top plates have fixing holes to suit 12mm diameter bolts

(E) Swivel top plate thickness 24mm

(H) Fixed top plate thickness 12mm

FOR TECHNICAL INFORMATION COVERING LOAD FACTORS, ETC., SEE 'DESIGN DATA' INDEX ON PAGE 20

A	B	C	D			Swivel		Fixed	
Wheel Diameter	Overall Height	Swivel Radius	Tread Width	Max Load Rating	Wheel Bearing Type	PART NUMBER	Approx Weight kg	PART NUMBER	Approx Weight kg
POLYURETHANE TYRED WHEEL									
4"	100	165	90	450	Ball Journal	GGG/H100/40BJ	8	GGF/H100/40BJ	8
6"	150	216	125	900	Ball Journal	GGG/H150/50BJ	9	GGF/H150/50BJ	9
8"	200	267	160	900	Ball Journal	GGG/H200/40BJ	11	GGF/H200/40BJ	11
10"	250	318	195	1300	Ball Journal	GGG/H250/45BJ	16	GGF/H250/45BJ	16

NOTE: Also available with other wheel types.

GG SERIES CASTORS

Wheel locks and directional locks are available on WG series swivel castors.

To order, add the appropriate suffix(es) to the castor part number: W = wheel lock D = directional lock.