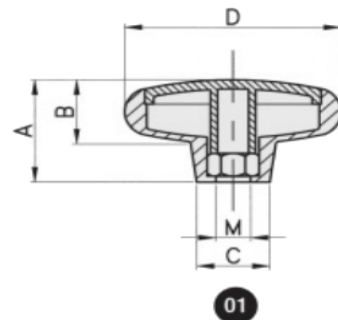
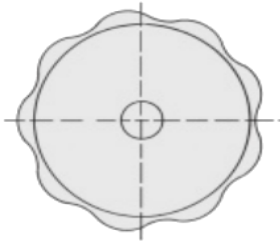
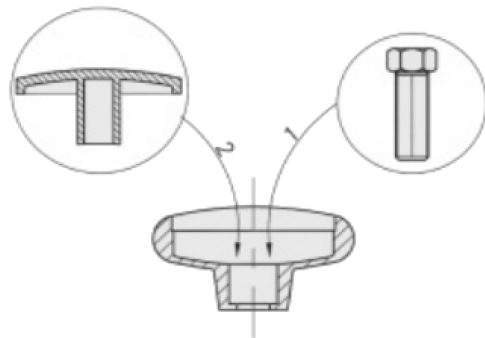
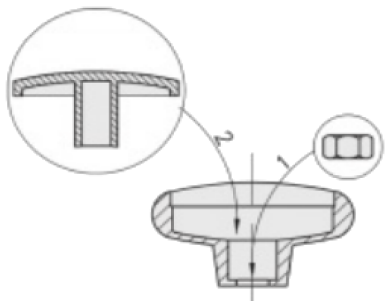


## AE Series Knob in composite plastic

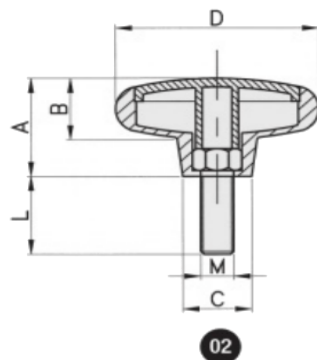
Knob in high resistance polyamide reinforced with glass fibres. This knob is designed for studs and nuts with hexagon heads. This ultra light knob is fully recyclable and reusable.



01 02

D	A	B	C	fitting stud or nut	REFERENCE
32	18	8	18	M6	AE06-32
32	18	8	18	M8	AE08-32
42	28	18	21	M6	AE06-42
42	28	18	21	M8	AE08-42
62	34	22	21	M8	AE08-62
62	34	22	21	M10	AE10-62

Customer to use own fitting nut/bolt



Minimum Order Quantity : 1000