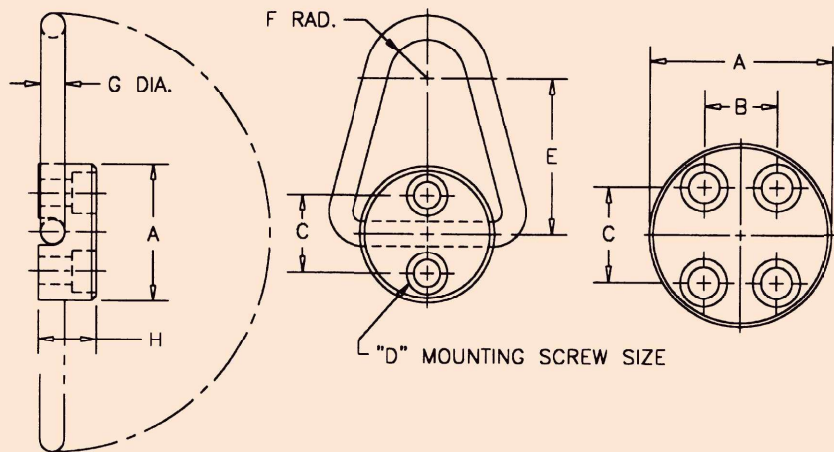


PIVOTING LIFT RING



The Pivoting Lifting Ring is a low profile lifting device that pivots 180°. It is one of the most economical lifting devices available and is ideal for applications that do not require a rotating action. This Lift Ring is easy to install and is available in five sizes. Load ratings range from 900Kg - 9,000Kg. The product is manufactured from alloy steel, heat treated and magnafluxed.

- Base: Precision machined alloy steel
- Ring: Alloy steel forging, heat treated, magnafluxed and certified
- Finish: Black oxide
- Rated at 6:1 strength factor
- All products are **CE** marked



Pivoting Lifting Rings

PART NUMBER	LOAD CAPACITY (Kg)	RECOMMENDED SCREW SIZE							
		A	B	C	D	E	F	G	H
47411	900	45	—	25	M8 X 1.25 X 35	51	13	8	19
47412	1100	57	—	28.5	M10 X 1.5 X 40	63.5	16	9.5	22
47413	2250	63.5	—	38	M12 X 1.75 X 45	76	19	13	28.5
47414*	5400	79	32	41	M12 X 1.75 X 65	102	22	19	35
47415*	9000	92	32	52	M16 X 2.0 X 65	127	25	25	48

*The larger load capacity rings have four mounting holes.

Optional Mounting Screws

LIFTING RING PART NUMBER	SCREW PART NUMBER	SCREW SIZE
47411	47471	M8 X 1.25 x 35
47412	47472	M10 X 1.5 x 40
47413	47473	M12 X 1.75 x 45
47414	47474	M12 X 1.75 x 65
47415	47475	M16 X 2.0 x 65

* Note: Mounting Screws must be ordered separately.

* Recommend using socket head cap screws.