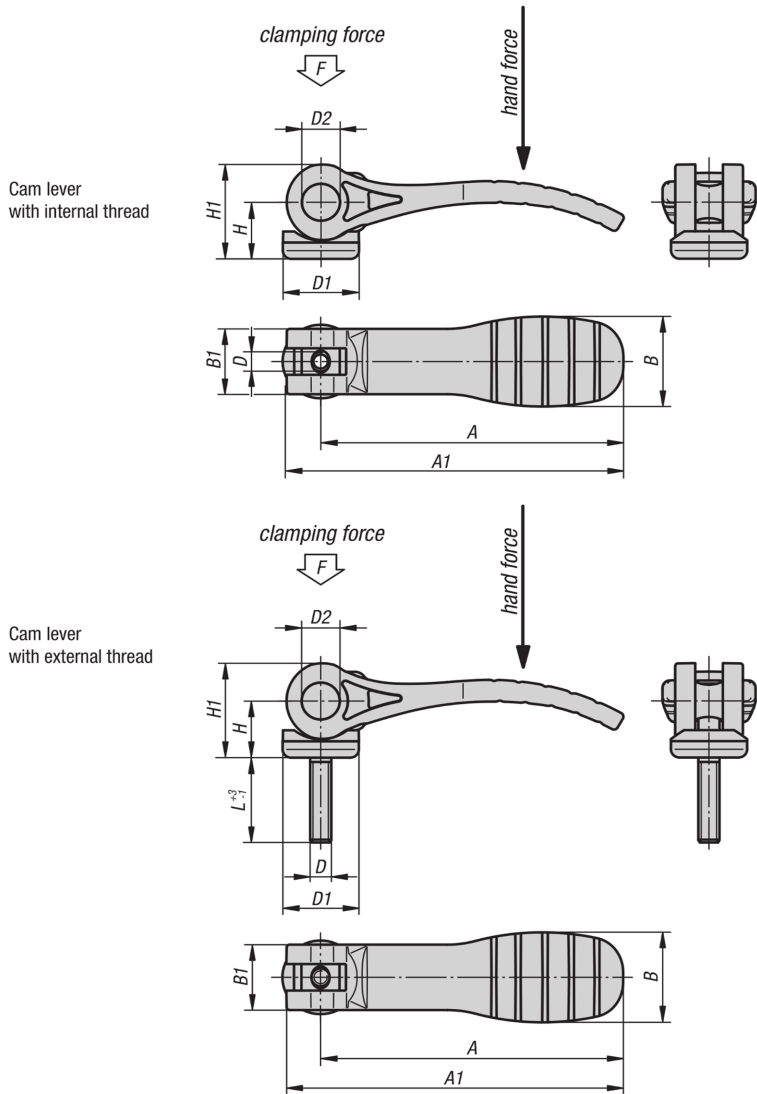


Cam levers with plastic handle

internal and external thread, steel or stainless steel



Material:
 Handles and thrust washer plastic PA 66 fibreglass reinforced.
 Hinge pins stainless steel 1.4305.
 Studs and washer steel grade 5.8 or stainless steel 1.4305.

Version:
 Handle and thrust washer, black.
 Hinge pin, bright.
 Studs and washer blue chromed or bright stainless steel.

Sample order:
 K0646.1521105X20 (include length L)

Note:
 Plastics are subject to creeping under load (retardation), this can cause reduced clamping force.

KIPP Cam levers with plastic handle and internal thread

Order No. steel	Order No. stainless steel	D	D1	D2	B	B1	H	H1	A	A1	Travel	Clamping force F (kN)	Hand force N
K0646.1521105	K0646.1531105	M5	18,1	9	22	16	14	23,4	71,5	79,6	1,15	2,5	125
K0646.1521106	K0646.1531106	M6	18,1	9	22	16	14	23,4	71,5	79,6	1,15	2,5	125
K0646.2521108	K0646.2531108	M8	27,1	11	33	24,2	16,2	27,7	100	110	1,5	5	170

KIPP Cam levers with plastic handle and external thread

Order No. steel	Order No. stainless steel	D	D1	D2	B	B1	H	H1	A	A1	L	Travel	Clamping force F (kN)	Hand force N
K0646.1521105X	K0646.1531105X	M5	18,1	9	22	16	14	23,4	71,5	79,6	20/30/40/50	1,15	2,5	125
K0646.1521106X	K0646.1531106X	M6	18,1	9	22	16	14	23,4	71,5	79,6	20/30/40/50	1,15	2,5	125
K0646.2521108X	K0646.2531108X	M8	27,1	11	33	24,2	16,2	27,7	100	110	25/30/40/50	1,5	5	170
K0646.2521110X	K0646.2531110X	M10	27,1	11	33	24,2	16,2	27,7	100	110	25/30/40/50	1,5	5	170