

PUSH-PULL CLAMPS

'PRECISION' PUSH-PULL CLAMP

MODEL P1150L
P2250L

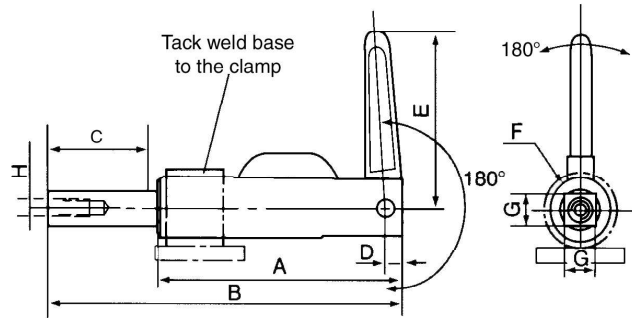


Piston:
Locks at the extended end of the stroke.

Base:
Fixed by using accessories overleaf.

Holding Force:
P1150L - 1 150 daN
P2250L - 2 250 daN

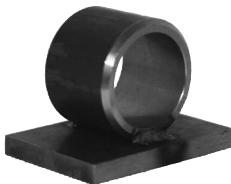
Weight:
P1150L - 1,150Kg
P2250L - 1,850Kg



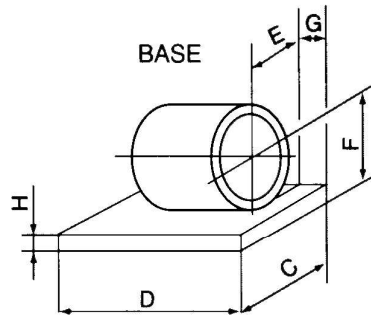
MODEL	A	B	C	D	E	F	G	H
P1150L	149,9	215,9	60	10	112	35	19	M12
P2250L	194	281	78	14	127	45	24,8	M16

BASE ACCESSORIES

MODEL P1150, P1150L, P2250 & P2250L



Weight of base:
1150B - 0,38Kg
2250B - 0,90Kg



BASE	C	D	E	F	G	H
1150B	70	50	35	30,1	6,5	7,6
2250B	90	70	45	40	7	12