

PUSH-PULL CLAMPS

- **Features:**

With the exception of model P50, which is a light duty base mounted clamp, these push-pull clamps are mounted either directly into a threaded or plain hole in a fixture, or can be mounted in a bracket which is either supplied with the clamp or offered as an accessory.

Nose mounting allows the clamp to be rotated to the required angle and locked by means of the locknut provided.

Models P100, P200 and P400 offer long strokes in light-duty clamps, while models P350, P550 and P750 are compact and robust, with their plunger movement tightly controlled.

A comfortable, cushioned PVC handle grip is fitted to all push-pull clamps.

- **Specification:**

The main components are of steel with either a zinc plated and passivated or manganese phosphated finish. All models are supplied with a steel setscrew and locknut finished chemi-black.

- **Installation:**

When mounting clamps ensure that the mechanism clears the mounting bracket or fixture.

PUSH-PULL CLAMPS

P50 SERIES MODEL P50



Plunger:
Locks at both extended & retracted ends of the stroke.

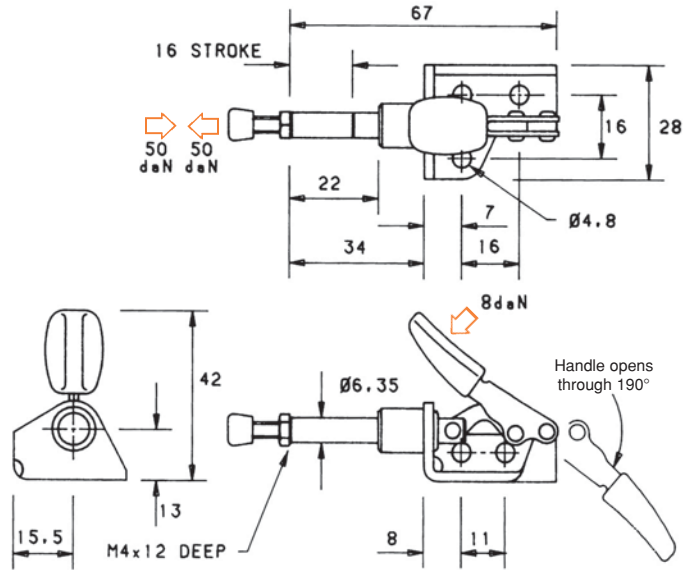
Base:
Fixed Flange with bottom or side mounting.

Nominal Holding Force:
50 daN

Weight:
0.05 Kg

Supplied complete with:
MB0420 Setscrew & nut.
NC/04 Neoprene cover.

See "Accessories" for other items.



P50 SERIES MODEL P50SS

STAINLESS
STEEL



Plunger:
Locks at both extended & retracted ends of the stroke.

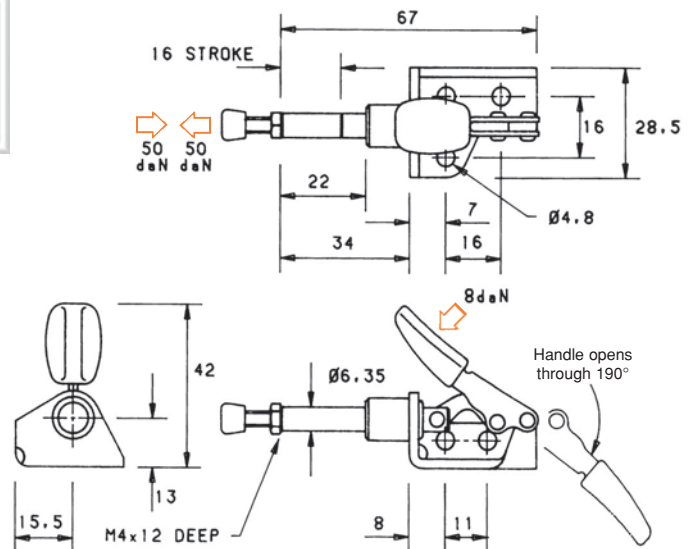
Base:
Fixed Flange with bottom or side mounting.

Nominal Holding Force:
50 daN

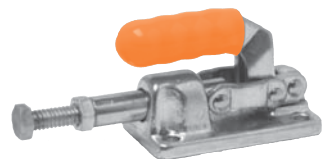
Weight:
0.05 Kg

Supplied complete with:
Setscrew & nut.
Neoprene cover.

Material:
BS 304 S15



P6015 SERIES MODEL P6015



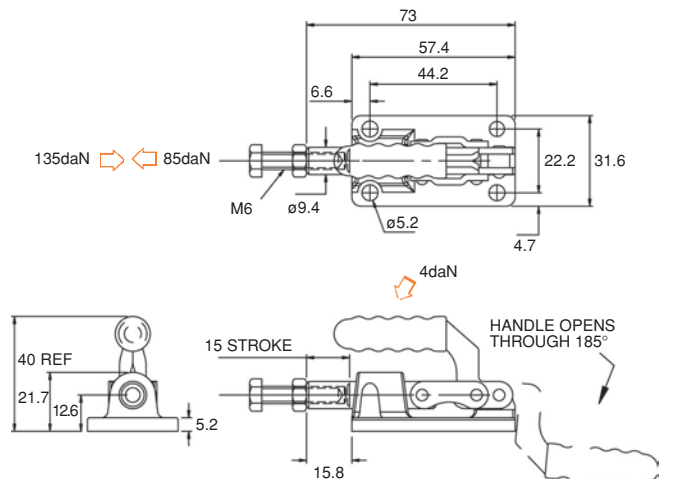
Plunger:
Locks at both extended & retracted ends of the stroke.

Base:
Body mounting.

Nominal Holding Force:
135 daN

Weight:
0.150 Kg

Supplied complete with:
MB0625 Setscrew & nut.



PUSH-PULL CLAMPS

P605 SERIES

MODEL P605



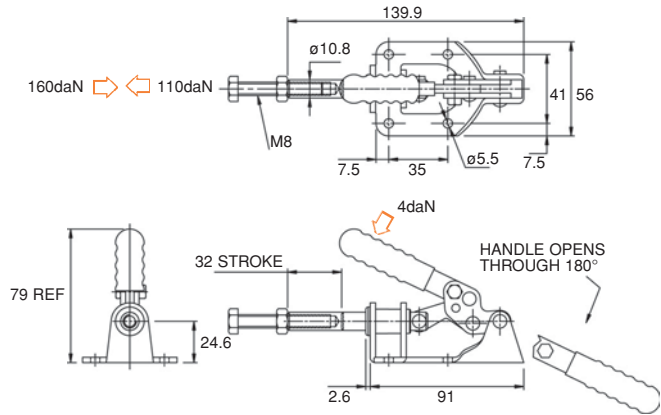
Plunger:
Locks at both extended & retracted ends of the stroke.

Base:
Body mounted fixed flange.

Nominal Holding Force:
160 daN

Weight:
0.30 Kg

Supplied complete with:
MB0840 Setscrew & nut.



P250 SERIES

MODEL P250



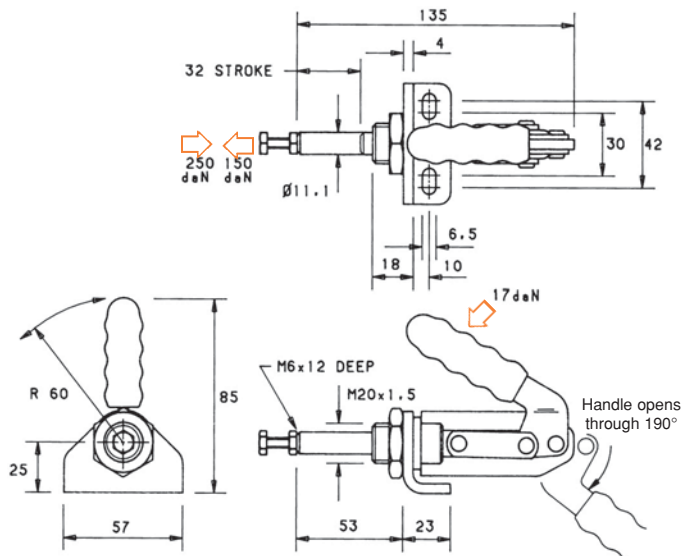
Plunger:
Locks at both extended & retracted ends of the stroke.

Base:
Nose or flange mounting.

Nominal Holding Force:
250 daN

Weight:
0.30 Kg

Supplied complete with:
MB0625 Setscrew & nut.
Mounting bracket & locknut.
See "Accessories" for alternative FM20 Mounting Bracket & other items.



P450 SERIES

MODEL P450



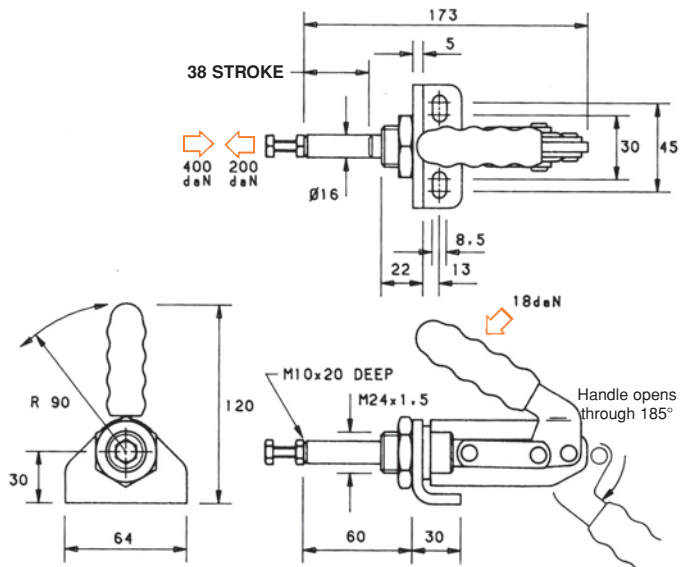
Plunger:
Locks at both extended & retracted ends of the stroke.

Base:
Nose or flange mounting.

Nominal Holding Force:
450 daN

Weight:
0.75 Kg

Supplied complete with:
MB1050 Setscrew & nut.
Mounting bracket & locknut.
See "Accessories" for alternative FM24 Mounting Bracket & other items.



PUSH-PULL CLAMPS

P100 SERIES MODEL P100



Plunger:
Locks at both extended & retracted ends of the stroke.

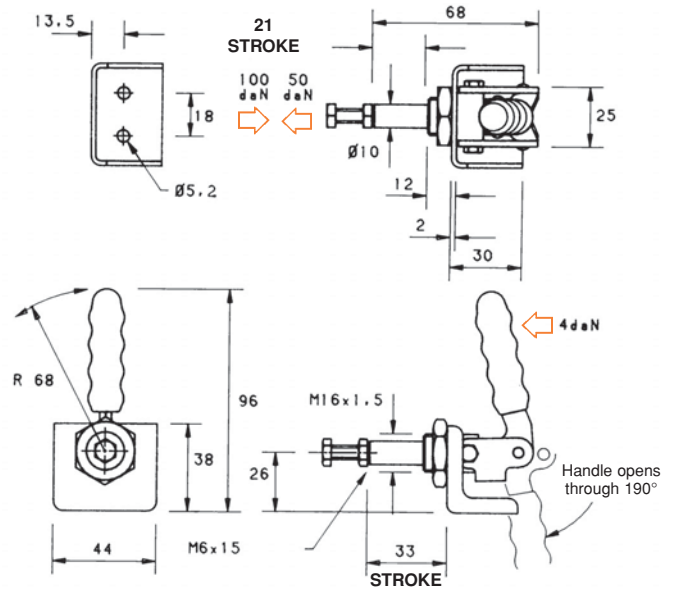
Base:
Nose or flange mounting.

Nominal Holding Force:
100 daN

Weight:
0.15 Kg

Supplied complete with:
MB0625 Setscrew & nut.
Mounting bracket & locknut.

See "Accessories" for alternative FM16 Mounting Bracket & other items.



P100 SERIES MODEL P100SS



Plunger:
Locks at both extended & retracted ends of the stroke.

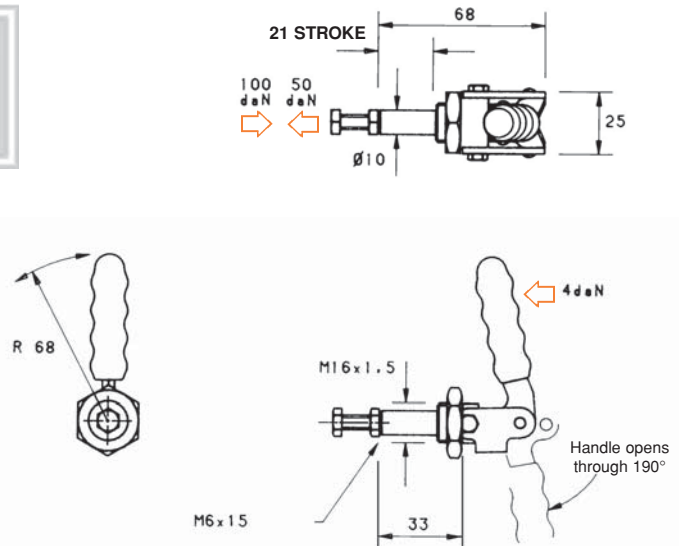
Base:
Nose or flange mounting.

Nominal Holding Force:
100 daN

Weight:
0.15 Kg

Supplied complete with:
Setscrew & nut.

Material:
BS 304 S15



P200 SERIES MODEL P200



Plunger:
Locks at both extended & retracted ends of the stroke.

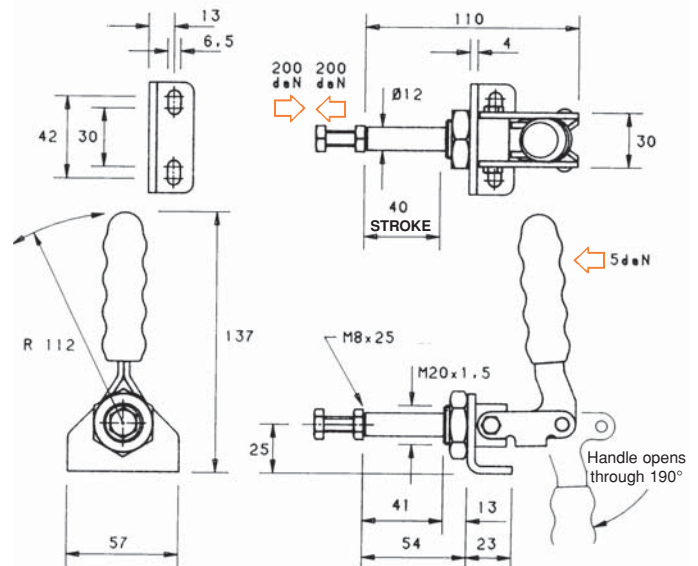
Base:
Nose or flange mounting.

Nominal Holding Force:
200 daN

Weight:
0.35 Kg

Supplied complete with:
MB0840 Setscrew & nut.
Mounting bracket & locknut.

See "Accessories" for alternative FM20 Mounting Bracket & other items.



PUSH-PULL CLAMPS

P200 SERIES
MODEL P200SS

**STAINLESS
STEEL**



Plunger:
Locks at both extended & retracted ends of the stroke.

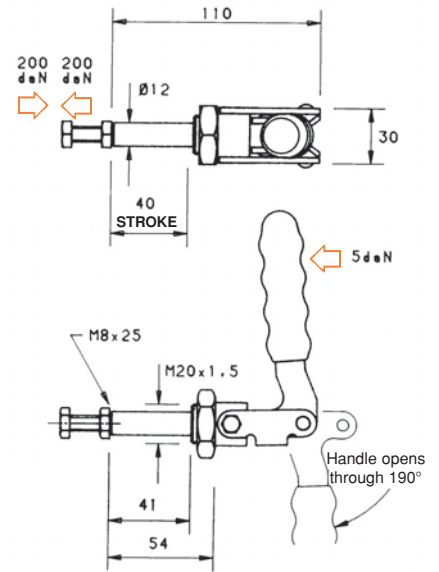
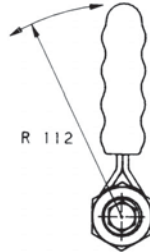
Base:
Nose or flange mounting.

Nominal Holding Force:
200 daN

Weight:
0.35 Kg

Supplied complete with:
Setscrew & nut.

Material:
BS 304 S15



P400 SERIES
MODEL P400



Plunger:
Locks at both extended & retracted ends of the stroke.

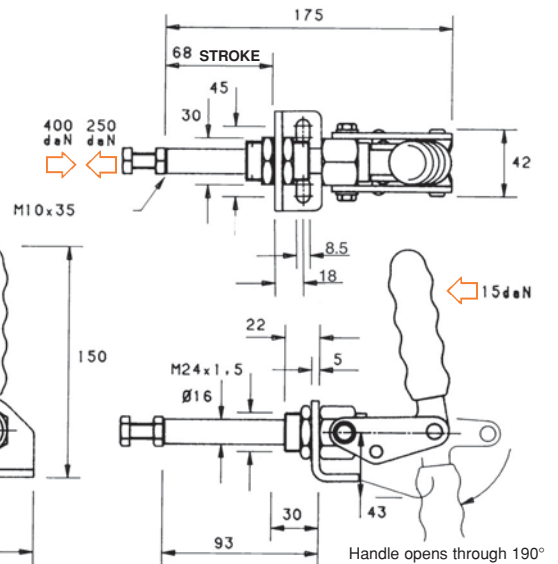
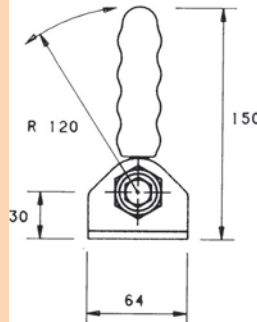
Base:
Nose or flange mounting.

Nominal Holding Force:
400 daN

Weight:
0.80 Kg

Supplied complete with:
MB1050 Setscrew & nut.
Mounting bracket & locknut.

See "Accessories" for alternative FM24 Mounting Bracket & other items.



P400 SERIES
MODEL P400SS

**STAINLESS
STEEL**



Plunger:
Locks at both extended & retracted ends of the stroke.

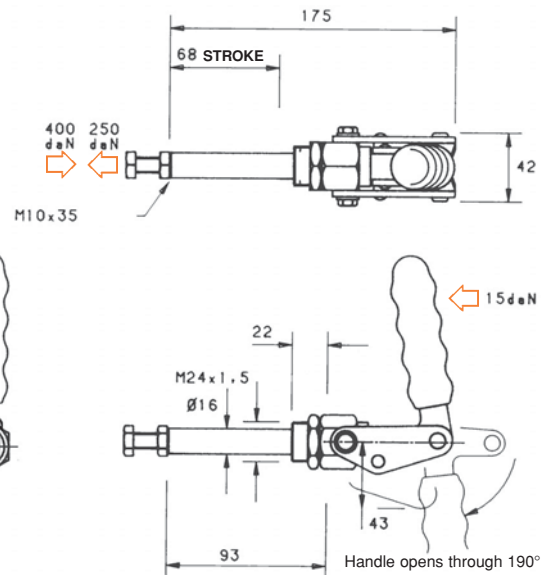
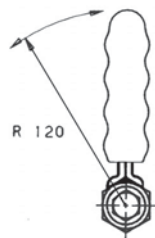
Base:
Nose or flange mounting.

Nominal Holding Force:
400 daN

Weight:
0.80 Kg

Supplied complete with:
Setscrew & nut.

Material:
BS 304 S15



PUSH-PULL CLAMPS

P650 SERIES
MODEL P650



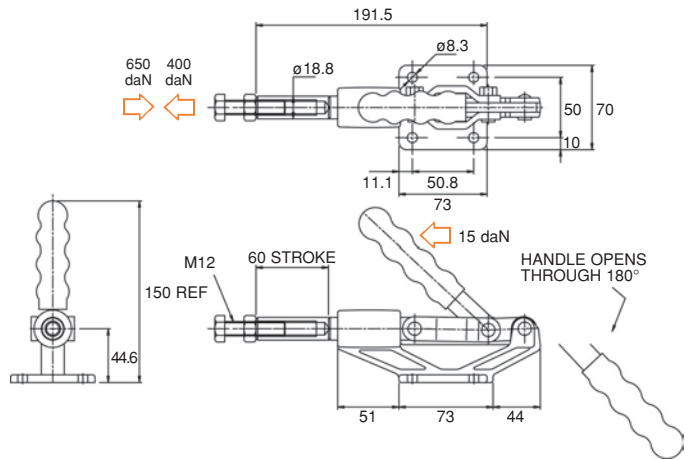
Plunger:
Locks at both extended & retracted ends of the stroke.

Base:
Body mounting.

Nominal Holding Force:
650 daN

Weight:
1.48 Kg

Supplied complete with:
MB1050 Setscrew & nut.



'SLIMLINE' PUSH-PULL CLAMPS
MODEL P350



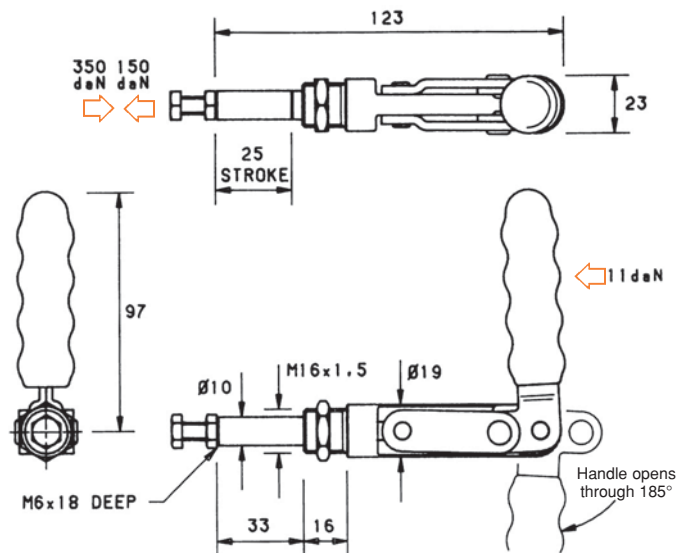
Plunger:
Locks at both extended & retracted ends of the stroke.

Base:
Nose mounting.

Nominal Holding Force:
350 daN

Weight:
0.20 Kg

Supplied complete with:
MB0625 Setscrew & nut.
See "Accessories" for FM16 Mounting Bracket & other items.



'SLIMLINE' PUSH-PULL CLAMPS
MODEL P550



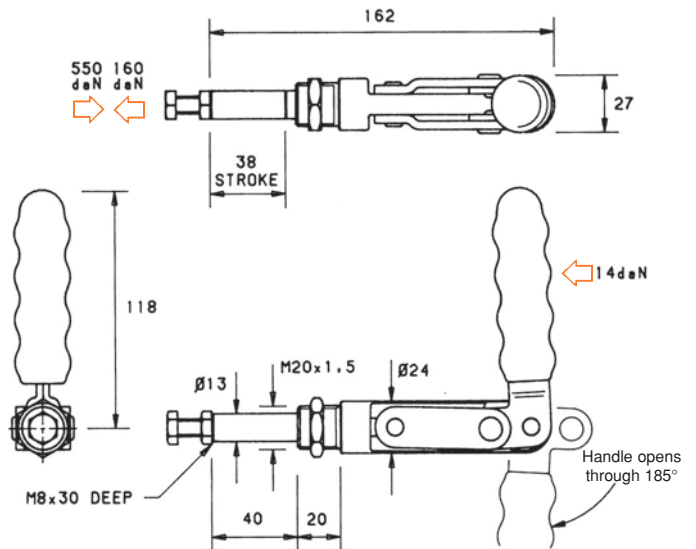
Plunger:
Locks at both extended & retracted ends of the stroke.

Base:
Nose mounting.

Nominal Holding Force:
550 daN

Weight:
0.45 Kg

Supplied complete with:
MB0840 Setscrew & nut.
See "Accessories" for FM20 Mounting Bracket & other items.



PUSH-PULL CLAMPS

'SLIMLINE' PUSH-PULL CLAMPS

MODEL P750



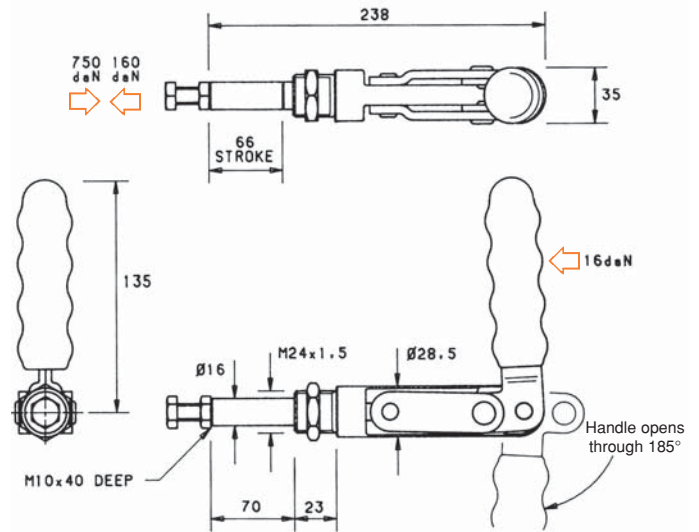
Plunger:
Locks at both extended & retracted ends of the stroke.

Base:
Nose mounting.

Nominal Holding Force:
750 daN

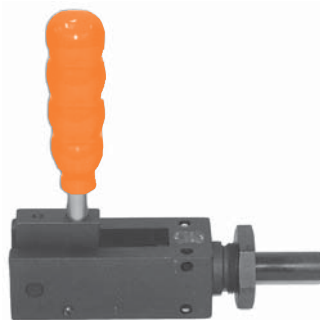
Weight:
1.00 Kg

Supplied complete with:
MB1050 Setscrew & nut.
See "Accessories" for FM24 Mounting Bracket & other items.



'PRECISION' PUSH-PULL CLAMP

MODEL SP700



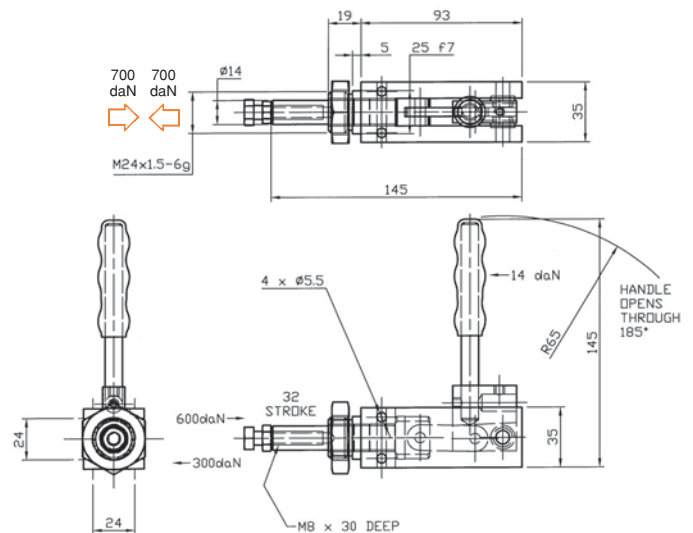
Plunger:
Ground steel precision self-locking at forward stroke position.

Base:
Carbon steel precision machined, nose mounting or body mounting.

Nominal Holding Force:
700 daN

Weight:
0.83 Kg

Supplied complete with:
MB0840 setscrew & nuts.



'PRECISION' PUSH-PULL CLAMP

MODEL P1150

P2250

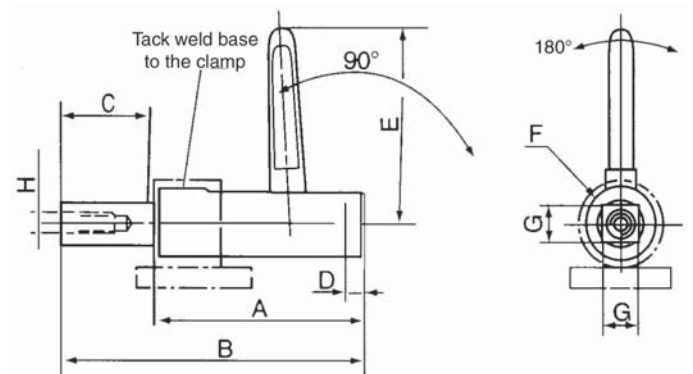


Piston:
Locks at the extended end of the stroke.

Base:
Fixed by using accessories overleaf.

Holding Force:
P1150 - 1 150 daN
P2250 - 2 250 daN

Weight:
P1150 - 1,150Kg
P2250 - 1,850Kg



MODEL	A	B	C	D	E	F	G	H
P1150	108	159	46	10	112	35	19	M12
P2250	141	212.5	55	14	127	45	24.8	M16

PUSH-PULL CLAMPS

'PRECISION' PUSH-PULL CLAMP

MODEL **P1150L**
P2250L

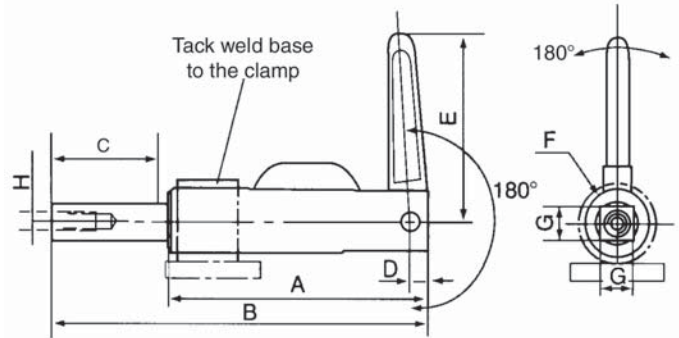


Piston:
Locks at the extended end of the stroke.

Base:
Fixed by using accessories overleaf.

Holding Force:
P1150L - 1 150 daN
P2250L - 2 250 daN

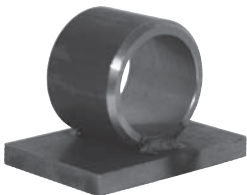
Weight:
P1150L - 1,150Kg
P2250L - 1,850Kg



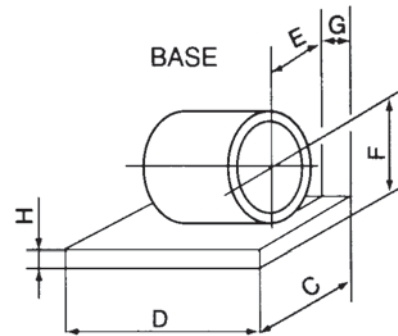
MODEL	A	B	C	D	E	F	G	H
P1150L	149.9	215.9	60	10	112	35	19	M12
P2250L	194	281	78	14	127	45	24.8	M16

BASE ACCESSORIES

MODEL **P1150, P1150L, P2250 & P2250L**



Weight of base:
1150B - 0.38Kg
2250B - 0.90Kg



BASE	C	D	E	F	G	H
1150B	70	50	35	30.1	6.5	7.6
2250B	90	70	45	40	7	12