

VERTICAL CLAMPS

- **Features:**

Vertical clamps are the most popular type of toggle clamp, the arm and handle rotating in the same direction when applied and retracted, and high clamping and holding forces being generated.

A comfortable, cushioned PVC handle grip is fitted to all Vertical clamps.

Models V75, V150, V250, V350, V450 and V550 feature a base which accurately guides the clamping arm, and a closed end to the arm for rigidity of construction and to retain the spindle or setscrew if it should loosen.

The angles through which the clamping arm and handle open can be altered by re-positioning or removing the stop pin.

- **Specification:**

The main components are of zinc plated and passivated steel.

Rivets are of stainless steel, which burnishes and work-hardens with use, the rivets rotating in hardened bushes in the larger clamps. Setscrews are of chemi-black coated steel.

VERTICAL CLAMPS

V70 SERIES

MODEL V70/2BT

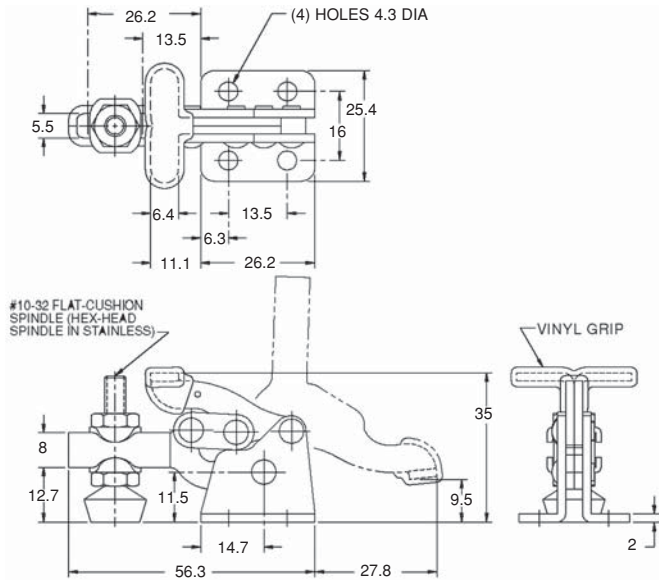


Holding Force:
70 daN

T-Handle:
Miniature hold-down clamp with a unique finger-grip T-handle. Open arm allows spindle adjustment. Arm opens 92° while handle moves 175°.

Shipping weight:
0.1 Kg

Supplied with:
#10-32 flat-cushion spindle
16112-FC.
2 TW flanged washers.



V70 SERIES

MODEL V70/2BTSS

STAINLESS
STEEL



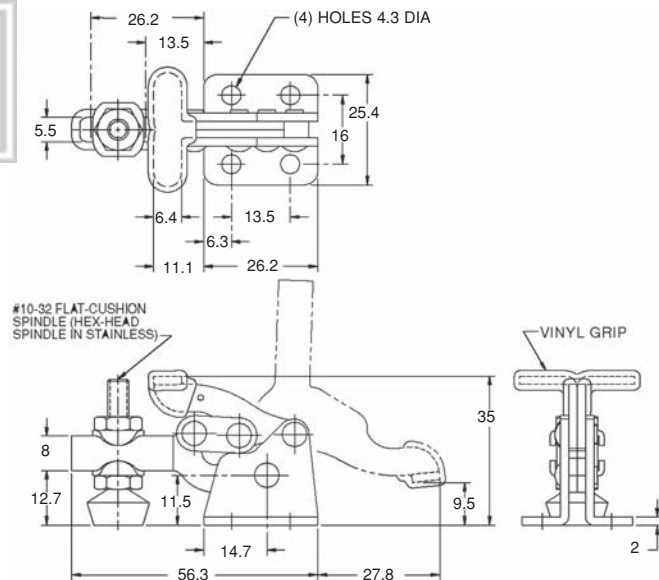
Holding Force:
70 daN

T-Handle:
Miniature hold-down clamp with a unique finger-grip T-handle. Open arm allows spindle adjustment. Arm opens 92° while handle moves 175°.

Shipping weight:
0.1 Kg

Supplied with:
#10-32 flat-cushion spindle
16112-FC.
2 TW flanged washers.

Material: BS 304 S15



V30 SERIES

MODEL V30/2B



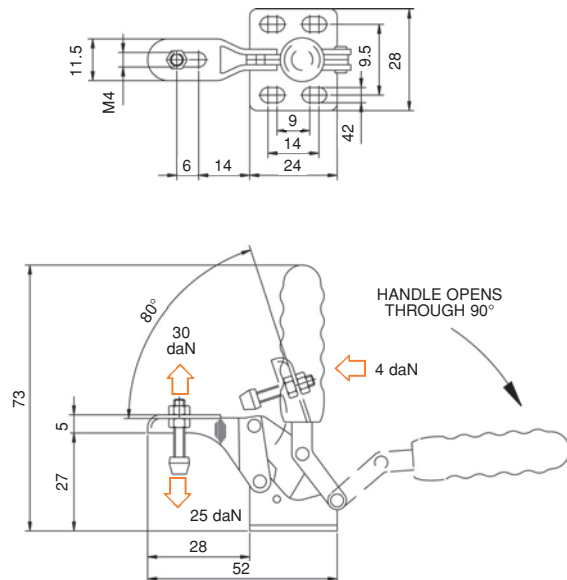
Arm:
The spindle position is adjustable along the arm.

Base:
Flanged.

Nominal Holding Force:
30 daN

Weight:
0.04 Kg

Supplied with:
MB0442 Setscrew & nut.



VERTICAL CLAMPS

V75 SERIES

MODEL V75/1B



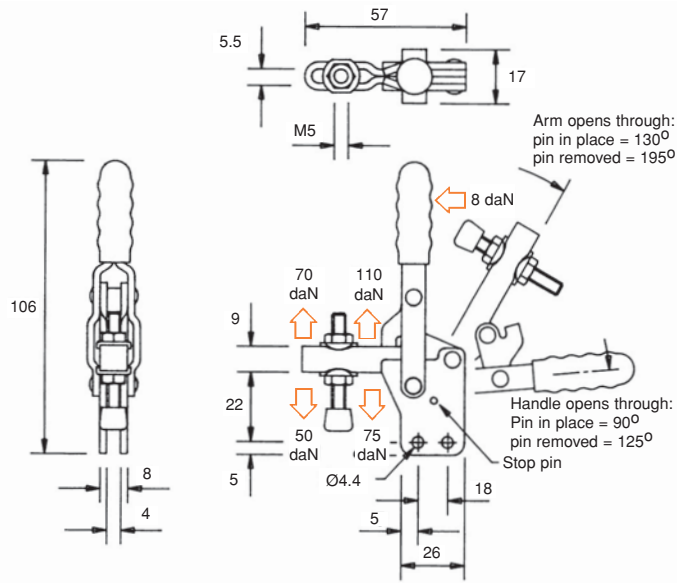
Arm:
The spindle position is adjustable along the arm.

Base:
Straight.

Nominal Holding Force:
75 daN

Weight:
0.05 Kg

Supplied complete with:
MB0535 Setscrew & nuts.
NC/05 Neoprene cover.
FW05/10 Flanged washers.
See "Accessories" for other items.



V75 SERIES

MODEL V75/1BSS



Arm:
The spindle position is adjustable along the arm.

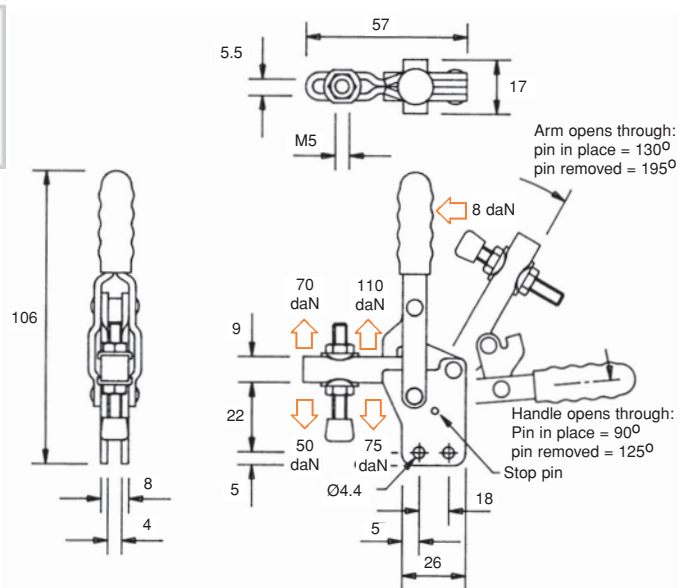
Base:
Straight.

Nominal Holding Force:
75 daN

Weight:
0.05 Kg

Supplied complete with:
MB0535 Setscrew & nuts.
NC/05 Neoprene cover.
FW05/10 Flanged washers.

Material: BS 304 S15



V75 SERIES

MODEL V75/2B



for front mounting use bracket Model FM1



Arm:
The spindle position is adjustable along the arm.

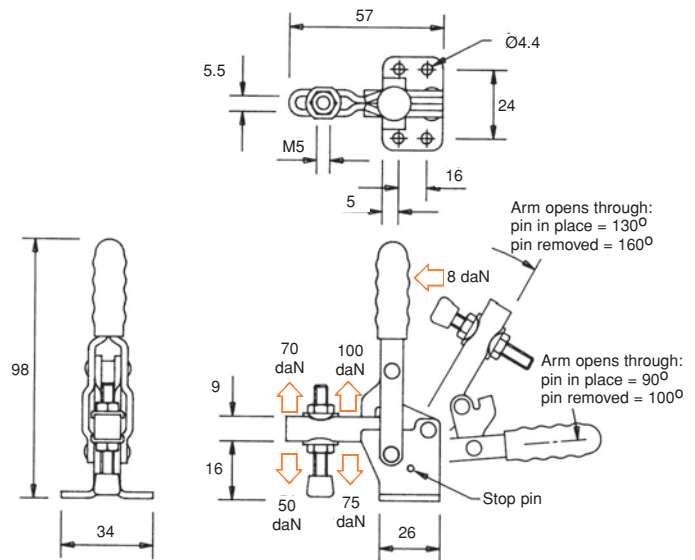
Base:
Flanged.

Nominal Holding Force:
75 daN

Weight:
0.05 Kg

Supplied complete with:
MB0535 Setscrew & nuts.
NC/05 Neoprene cover.
FW05/10 Flanged washers.

See "Accessories" for other items.



VERTICAL CLAMPS

V75 SERIES

MODEL V75/2BSS



Arm:
The spindle position is adjustable along the arm.

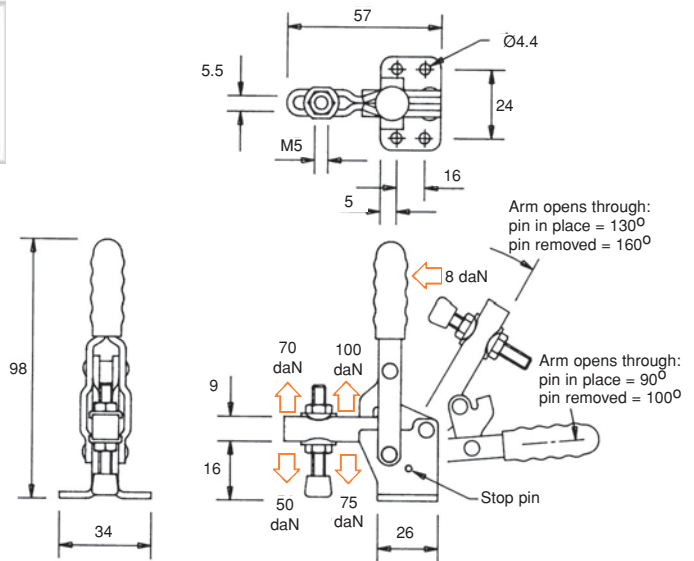
Base:
Flanged.

Nominal Holding Force:
75 daN

Weight:
0.05 Kg

Supplied complete with:
Setscrew & nuts.
Neoprene cover.
Flanged washers.

Material:
BS 304 S15



V100 SERIES

MODEL V100/1B



Arm:
The spindle position is adjustable along the arm.

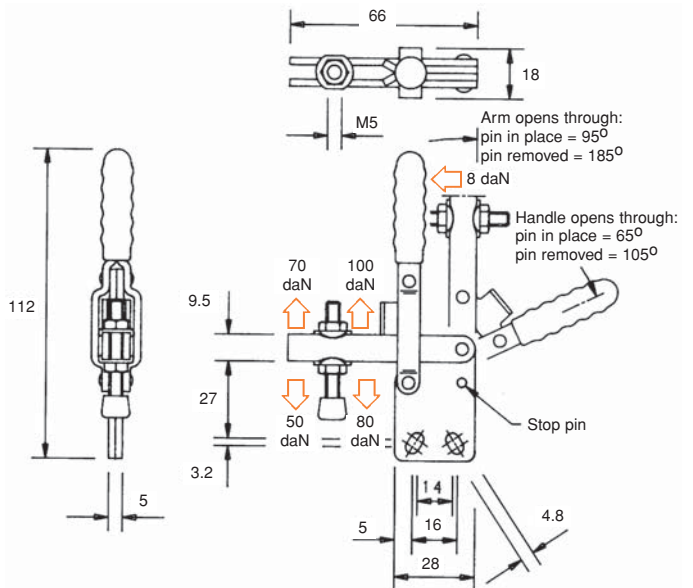
Base:
Straight.

Nominal Holding Force:
100 daN

Weight:
1.10 Kg

Supplied complete with:
MB0535 Setscrew & nuts.
NC/05 Neoprene cover.
FW05/10 Flanged washers.

See "Accessories" for other items.



V100 SERIES

MODEL V100/1C



Arm:
The spindle is in a fixed position.

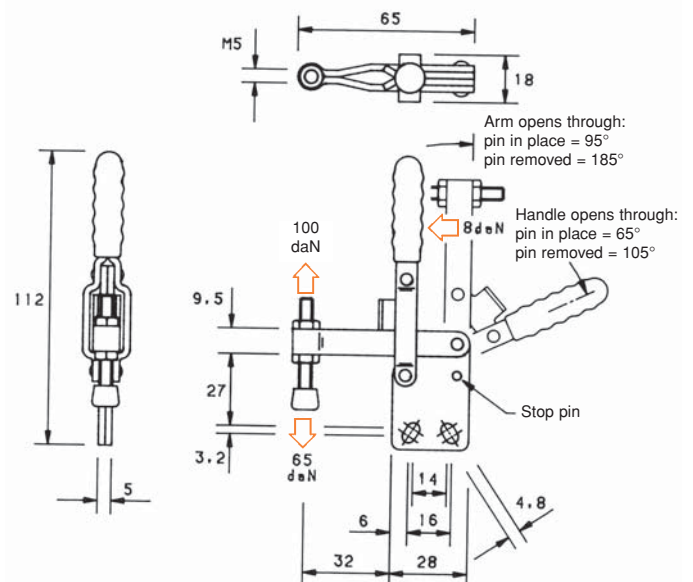
Base:
Straight.

Nominal Holding Force:
100 daN

Weight:
0.10 Kg

Supplied complete with:
MB0535 Setscrew & nuts.
NC/05 Neoprene cover.

See "Accessories" for other items.



VERTICAL CLAMPS

V100 SERIES

MODEL V100/2B



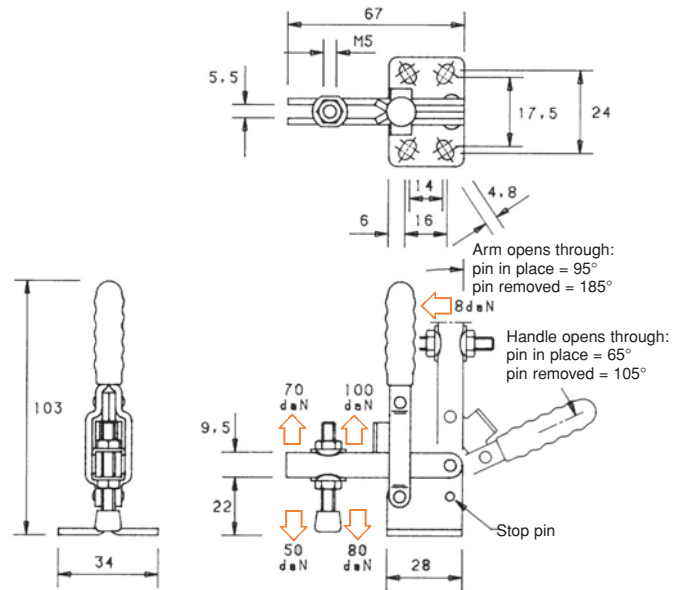
Arm:
The spindle position is adjustable along the arm.

Base:
Flanged.

Nominal Holding Force:
100 daN

Weight:
0.10 Kg

Supplied complete with:
MB0535 Setscrew & nuts.
NC/05 Neoprene cover.
FW05/10 Flanged washers.
See "Accessories" for other items.



V100 SERIES

MODEL V100/2C



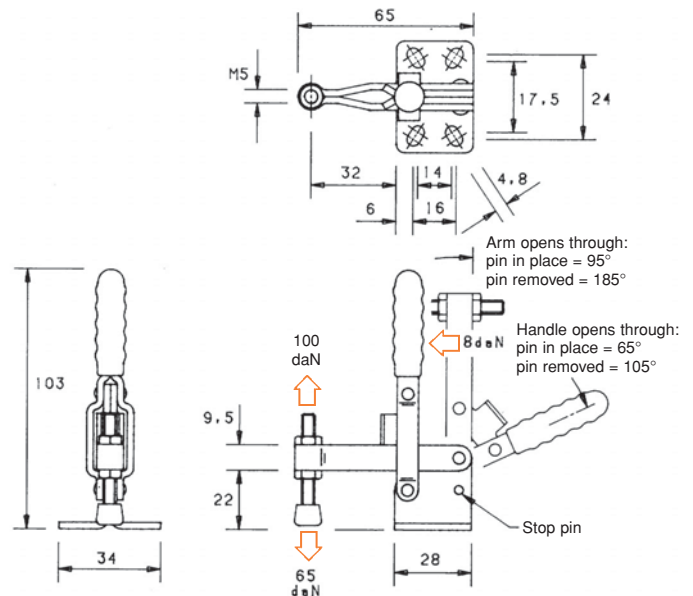
Arm:
The spindle is in a fixed position.

Base:
Flanged.

Nominal Holding Force:
100 daN

Weight:
0.10 Kg

Supplied complete with:
MB0535 Setscrew & nuts.
NC/05 Neoprene cover.
See "Accessories" for other items.



V100 SERIES

MODEL V100/3B



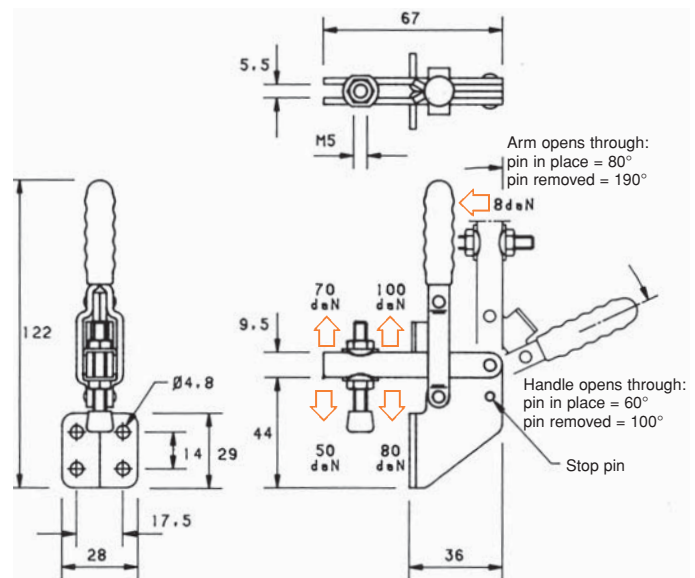
Arm:
The spindle position is adjustable along the arm.

Base:
Front mounting.

Nominal Holding Force:
100 daN

Weight:
0.11 Kg

Supplied complete with:
MB0535 Setscrew & nuts.
NC/05 Neoprene cover.
FW05/10 Flanged washers.
See "Accessories" for other items.



VERTICAL CLAMPS

V100 SERIES MODEL V100/3C



Arm:
The spindle is in a fixed position.

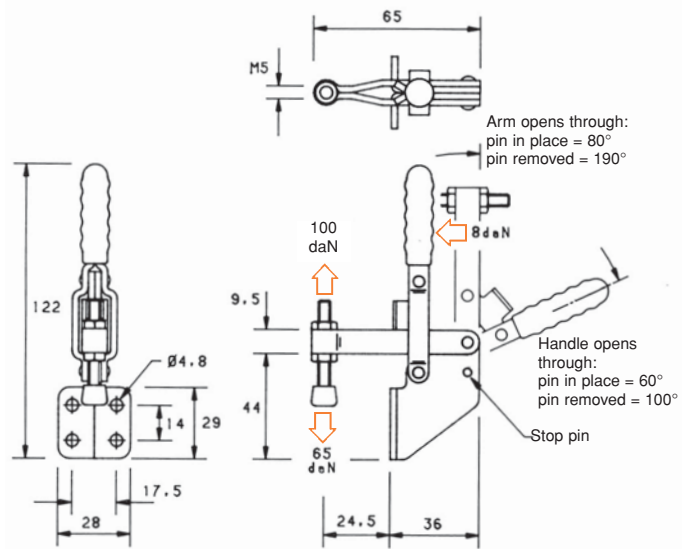
Base:
Front mounting.

Nominal Holding Force:
100 daN

Weight:
0.11 Kg

Supplied complete with:
MB0535 Setscrew & nuts.
NC/05 Neoprene cover.

See "Accessories" for other items.



V150 SERIES MODEL V150/1B



Arm:
The spindle position is adjustable along the arm.

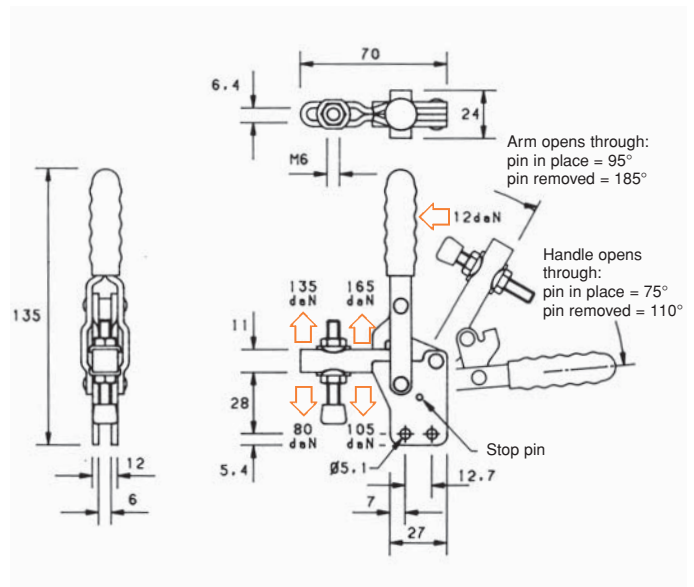
Base:
Straight.

Nominal Holding Force:
150 daN

Weight:
0.15 Kg

Supplied complete with:
MB0650 Setscrew & nuts.
NC/06 Neoprene cover.
FW06/12 Flanged washers.

See "Accessories" for other items.



V150 SERIES MODEL V150/1BL



Arm:
The spindle position is adjustable along the arm. 15mm added to arm length over V150/1B model.

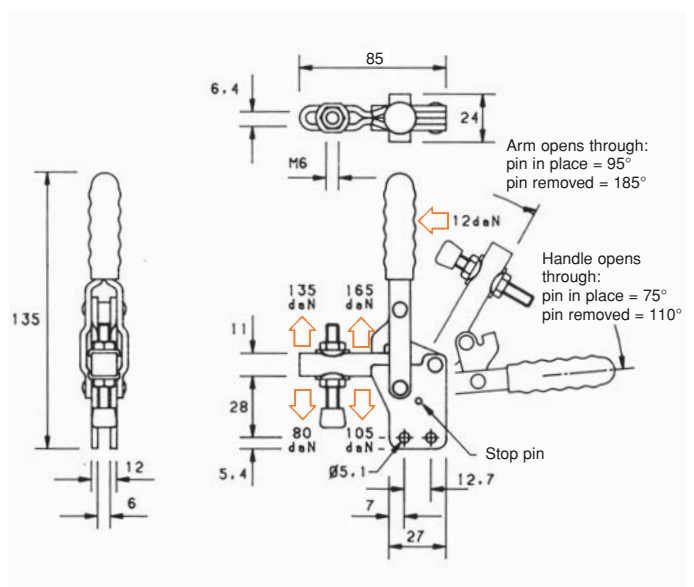
Base:
Straight.

Nominal Holding Force:
150 daN

Weight:
0.15 Kg

Supplied complete with:
MB0650 Setscrew & nuts.
NC/06 Neoprene cover.
FW06/12 Flanged washers.

See "Accessories" for other items.



VERTICAL CLAMPS

V150 SERIES
MODEL V150/1BSS

STAINLESS
STEEL



Arm:
The spindle position is adjustable along the arm.

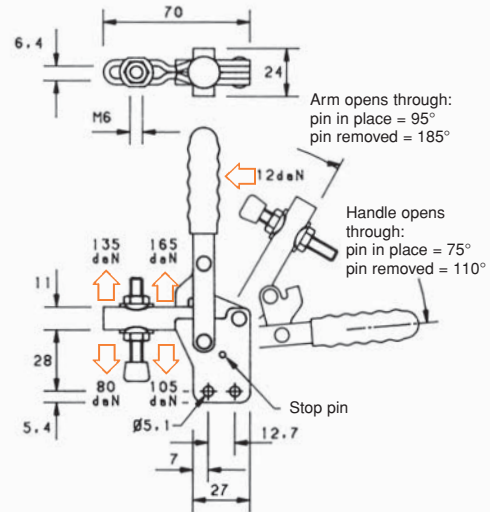
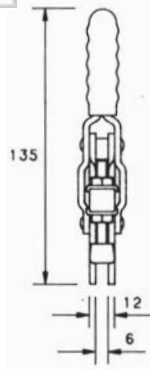
Base:
Straight.

Nominal Holding Force:
150 daN

Weight:
0.15 Kg

Supplied complete with:
MB0650 Setscrew & nuts.
NC/06 Neoprene cover.

Material: BS 304 S15



V150 SERIES
MODEL V150/1C



Arm:
The spindle is in a fixed position.

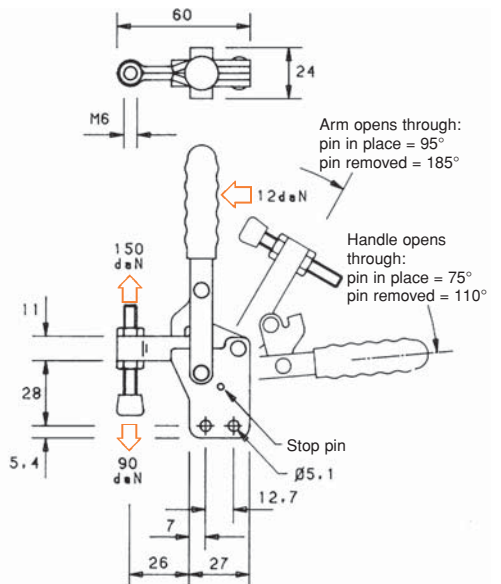
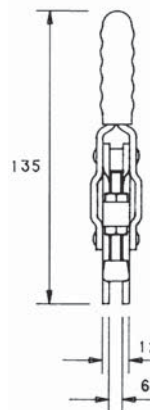
Base:
Straight.

Nominal Holding Force:
150 daN

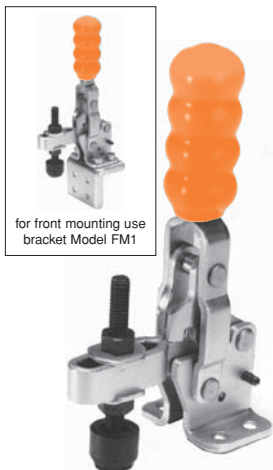
Weight:
0.15 Kg

Supplied complete with:
MB0650 Setscrew & nuts.
NC/06 Neoprene cover.

See "Accessories" for other items.



V150 SERIES
MODEL V150/2B



Arm:
The spindle position is adjustable along the arm.

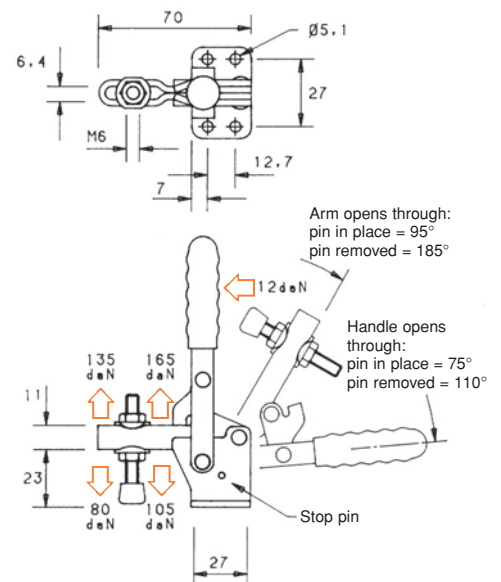
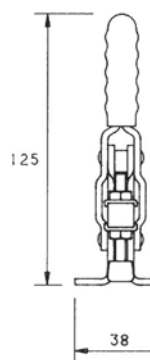
Base:
Flanged.

Nominal Holding Force:
150 daN

Weight:
0.15 Kg

Supplied complete with:
MB0650 Setscrew & nuts.
NC/06 Neoprene cover.
FW06/12 Flanged washers.

See "Accessories" for other items.



VERTICAL CLAMPS

V150 SERIES

MODEL V150/2BL



for front mounting use
bracket Model FM1



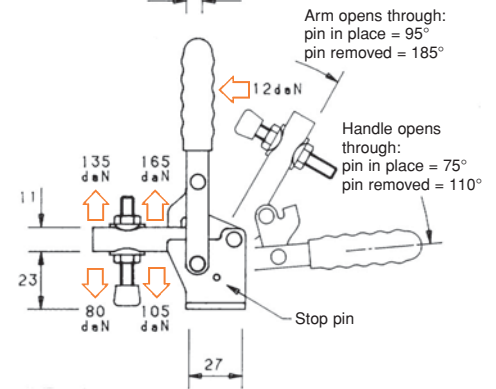
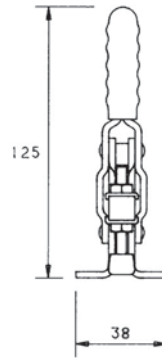
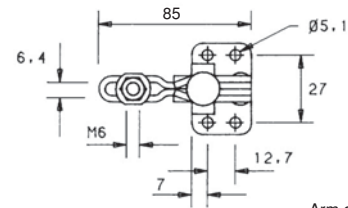
Arm:
The spindle position is adjustable along the arm. 15mm added to arm length over V150/2B model.

Base:
Flanged.

Nominal Holding Force:
150 daN

Weight:
0.15 Kg

Supplied complete with:
MB0650 Setscrew & nuts.
NC/06 Neoprene cover.
FW06/12 Flanged washers.
See "Accessories" for other items.



V150 SERIES

MODEL V150/2BSS

**STAINLESS
STEEL**



Arm:
The spindle position is adjustable along the arm.

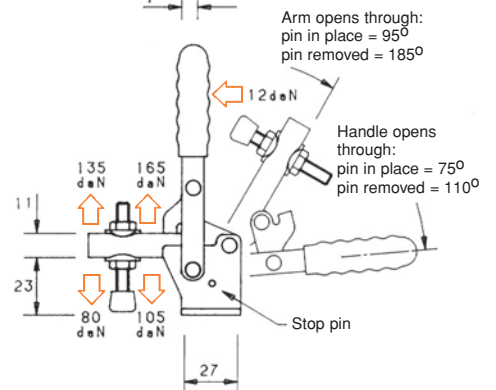
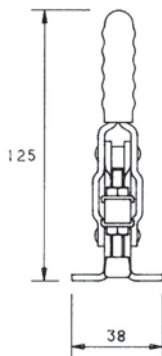
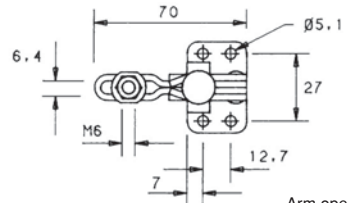
Base:
Flanged.

Nominal Holding Force:
150 daN

Weight:
0.15 Kg

Supplied complete with:
Setscrew & nuts.
Neoprene cover.
Flanged washers.

Material:
BS 304 S15



V150 SERIES

MODEL V150/2C



for front mounting use
bracket Model FM1



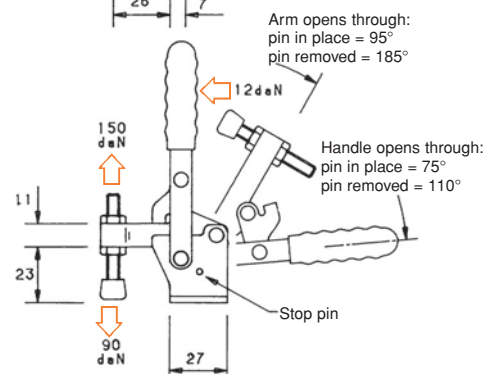
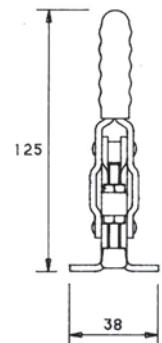
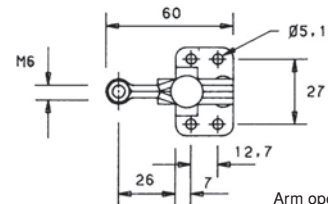
Arm:
The spindle is in a fixed position.

Base:
Flanged.

Nominal Holding Force:
150 daN

Weight:
0.15 Kg

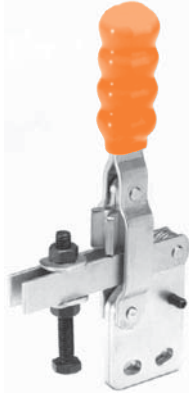
Supplied complete with:
MB0650 Setscrew & nuts.
NC/06 Neoprene cover.
See "Accessories" for other items.



VERTICAL CLAMPS

V200 SERIES

MODEL V200/1B



Arm:
The spindle is in a fixed position.

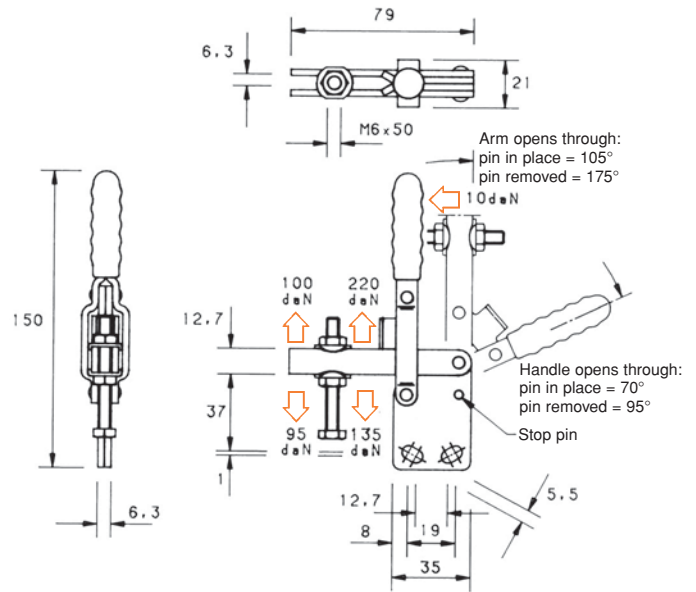
Base:
Flanged.

Nominal Holding Force:
150 daN

Weight:
0.15 Kg

Supplied complete with:
MB0650 Setscrew & nuts.
NC/06 Neoprene cover.

See "Accessories" for other items.



V200 SERIES

MODEL V200/1C



Arm:
The spindle is in a fixed position.

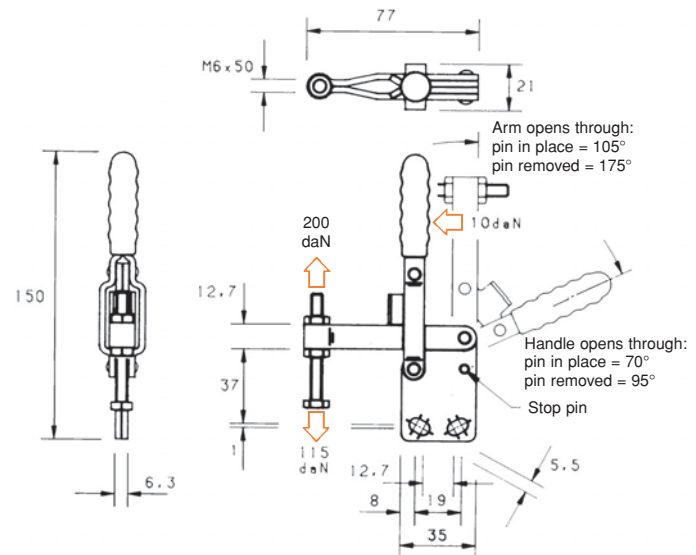
Base:
Straight.

Nominal Holding Force:
200 daN

Weight:
0.20 Kg

Supplied complete with:
MB0650 Setscrew & nuts.

See "Accessories" for other items.



V200 SERIES

MODEL V200/2B



Arm:
The spindle position is adjustable along the arm.

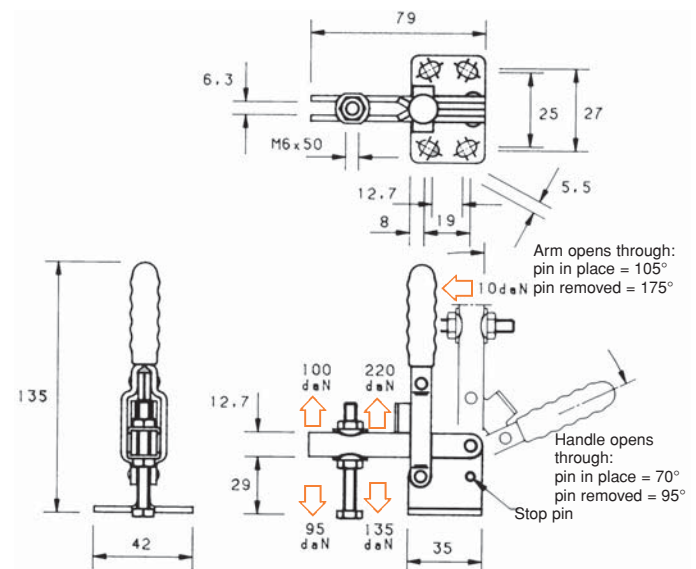
Base:
Flanged.

Nominal Holding Force:
200 daN

Weight:
0.20 Kg

Supplied complete with:
MB0650 Setscrew & nuts.
FW06/12 Flanged washers.

See "Accessories" for other items.



VERTICAL CLAMPS

V200 SERIES

MODEL V200/2C



Arm:
The spindle is in a fixed position.

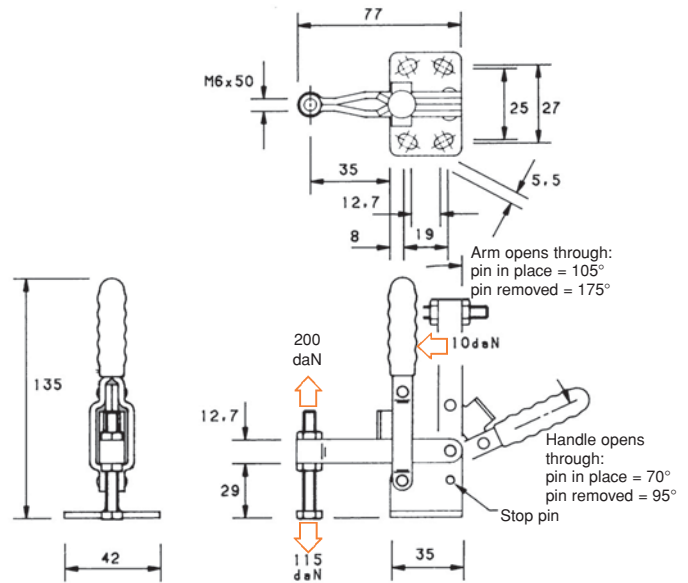
Base:
Flanged.

Nominal Holding Force:
200 daN

Weight:
0.20 Kg

Supplied complete with:
MB0650 Setscrew & nuts.
FW06/12 Flanged washers.

See "Accessories" for other items.



V200 SERIES

MODEL V200/3B



Arm:
The spindle position is adjustable along the arm.

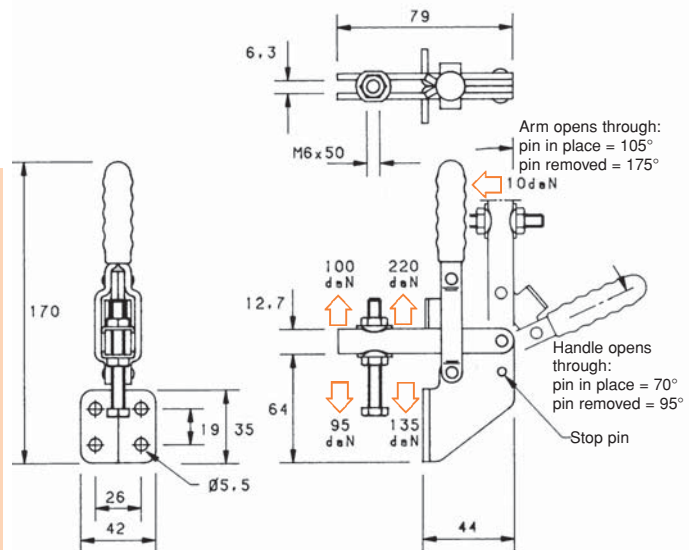
Base:
Front mounting.

Nominal Holding Force:
200 daN

Weight:
0.25 Kg

Supplied complete with:
MB0650 Setscrew & nuts.
FW06/12 Flanged washers.

See "Accessories" for other items.



V200 SERIES

MODEL V200/3C



Arm:
The spindle is in a fixed position.

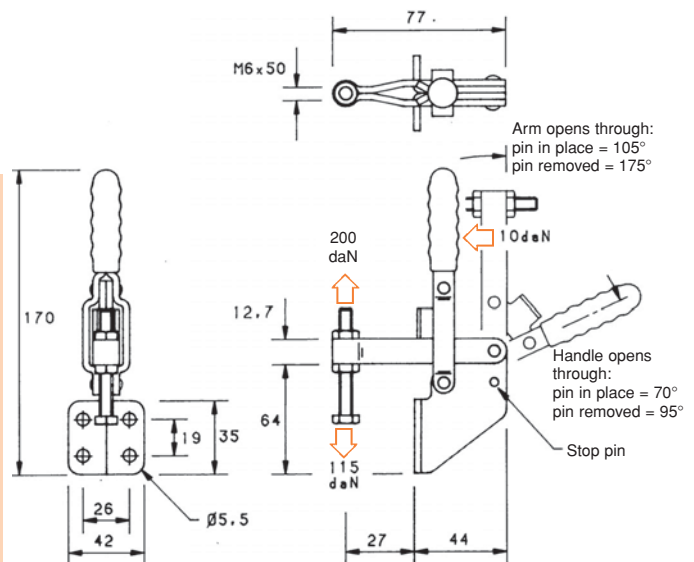
Base:
Front mounting.

Nominal Holding Force:
200 daN

Weight:
0.25 Kg

Supplied complete with:
MB0650 Setscrew & nuts.

See "Accessories" for other items.



VERTICAL CLAMPS

V250 SERIES

MODEL V250/1A



Arm:
2-piece "solid" arm with spindle retainer supplied loose for welding in the desired position.

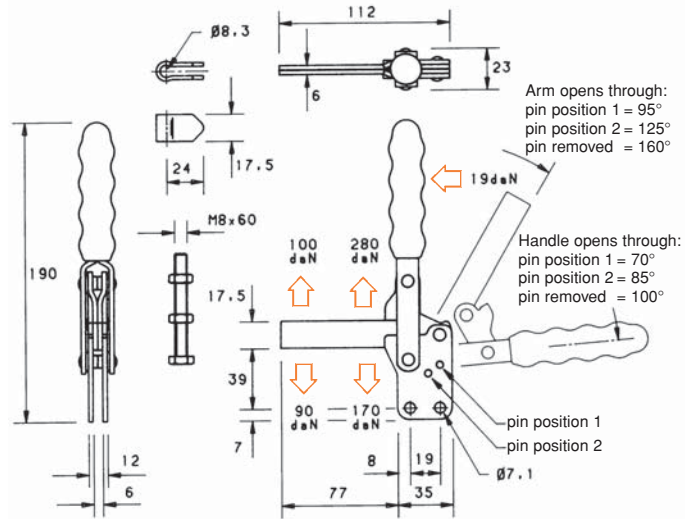
Base:
Straight.

Nominal Holding Force:
250 daN

Weight:
0.38 Kg

Supplied complete with:
MB0860 Setscrew & nuts.
R/08 Spindle retainer.

See "Accessories" for other items.



V250 SERIES

MODEL V250/1AL



Arm:
Solid arm with spindle retainer supplied loose for welding in the desired position. 10mm added to arm length over V250/1A model.

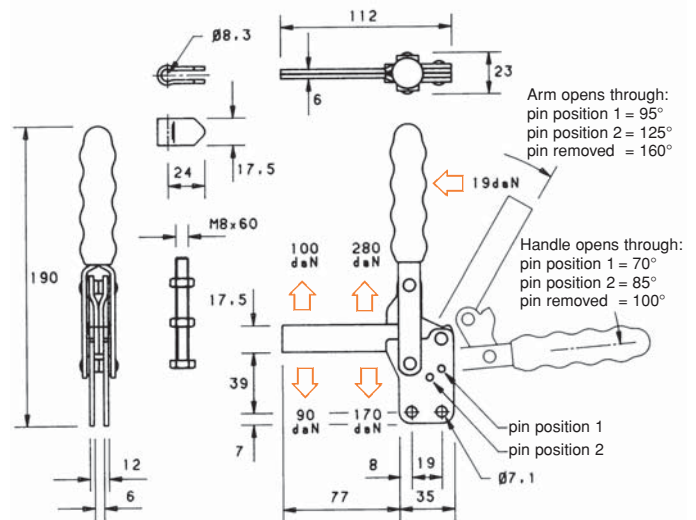
Base:
Straight.

Nominal Holding Force:
250 daN

Weight:
0.38 Kg

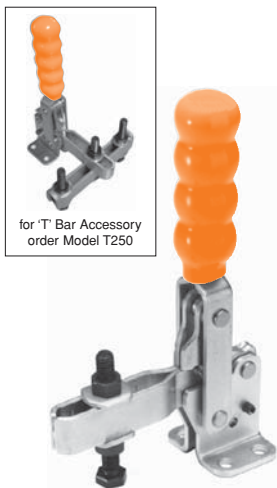
Supplied complete with:
MB0860 Setscrew & nuts.
R/08 Spindle retainer.

See "Accessories" for other items.



V250 SERIES

MODEL V250/1B



Arm:
The spindle position is adjustable along the arm.

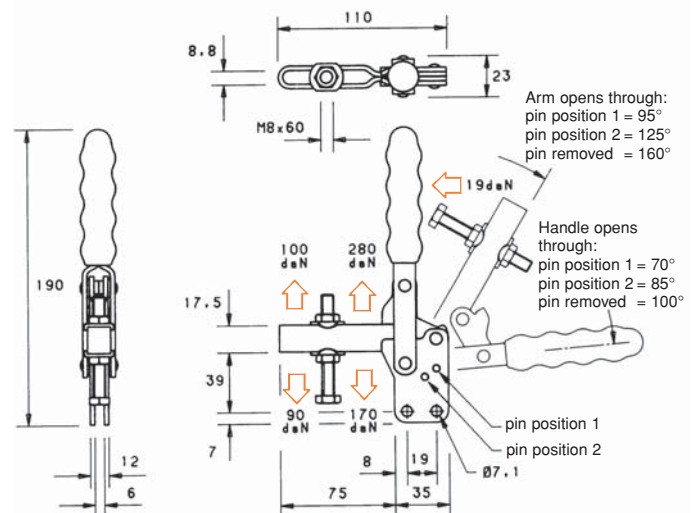
Base:
Straight.

Nominal Holding Force:
250 daN

Weight:
0.38 Kg

Supplied complete with:
MB0860 Setscrew & nuts.
FW08/15 Flanged washers.

See "Accessories" for other items.



VERTICAL CLAMPS

V250 SERIES

MODEL V250/1BSS

STAINLESS
STEEL



Arm:
The spindle position is adjustable along the arm.

Base:
Straight.

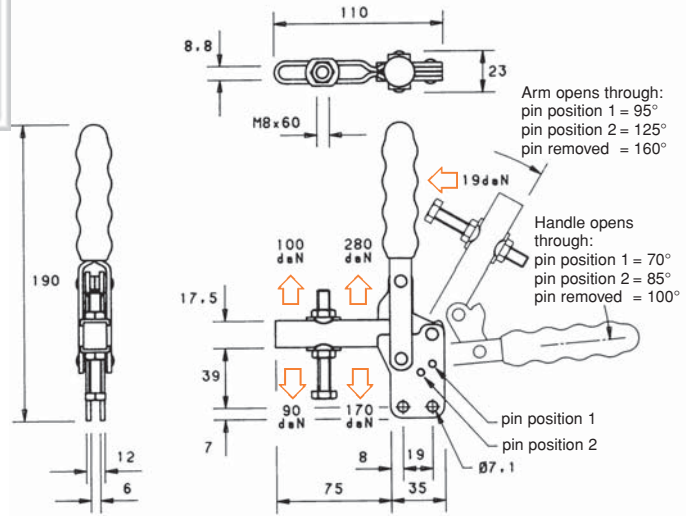
Nominal Holding Force:
250 daN

Weight:
0.38 Kg

Supplied complete with:
MB0860 Setscrew & nuts.
FW08/15 Flanged washers.

Material:
BS 304 S15

See "Accessories" for other items.



V250 SERIES

MODEL V250/1C



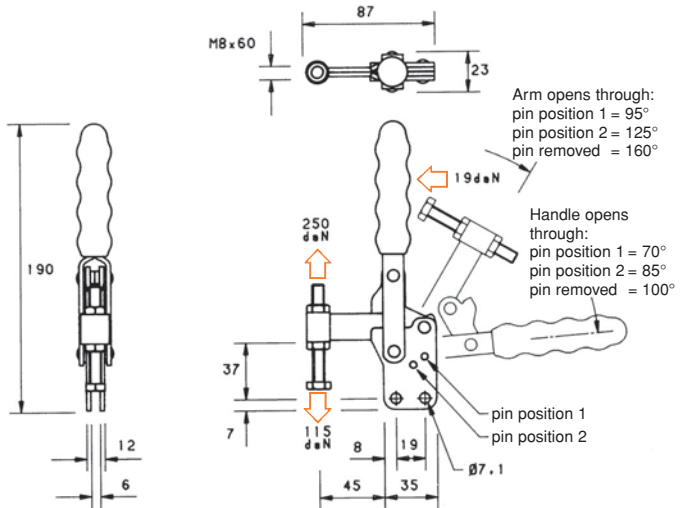
Arm:
The spindle is in a fixed position.

Base:
Straight.

Nominal Holding Force:
250 daN

Weight:
0.38 Kg

Supplied complete with:
MB0860 Setscrew & nuts.
See "Accessories" for other items.

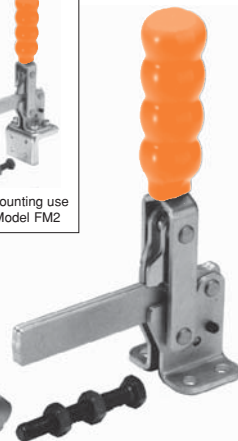


V250 SERIES

MODEL V250/2A



for front mounting use
bracket Model FM2



Arm:
2-piece "solid" arm with spindle retainer supplied loose for welding in the desired position.

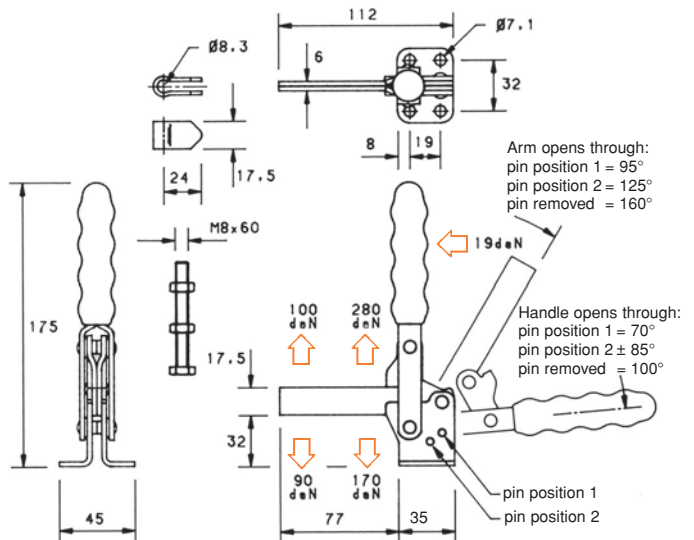
Base:
Flanged.

Nominal Holding Force:
250 daN

Weight:
0.38 Kg

Supplied complete with:
MB0860 Setscrew & nuts.
R/08 Spindle retainer.

See "Accessories" for other items.



VERTICAL CLAMPS

V250 SERIES

MODEL V250/2AL



for front mounting use bracket Model FM2

Arm:
Solid arm with spindle retainer supplied loose for welding in the desired position. 10mm added to arm length over V250/2A model.

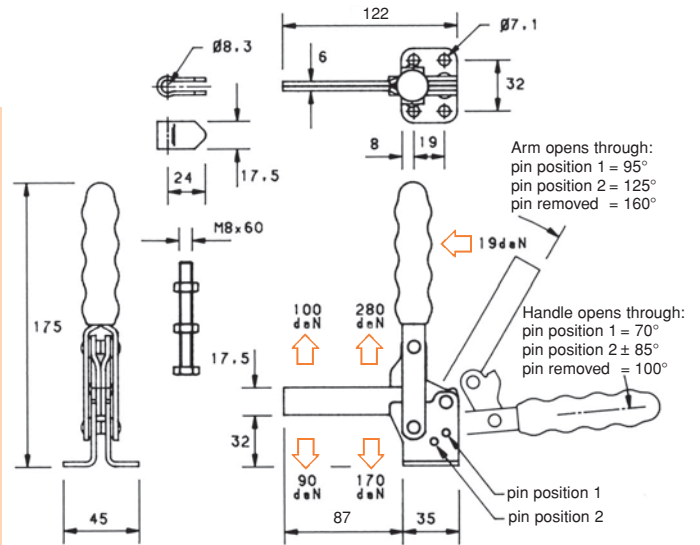
Base:
Flanged.

Nominal Holding Force:
250 daN

Weight:
0.38 Kg

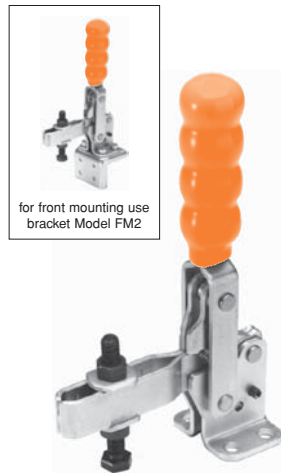
Supplied complete with:
MB0860 Setscrew & nuts.
R/08 Spindle retainer.

See "Accessories" for other items.



V250 SERIES

MODEL V250/2B



for front mounting use bracket Model FM2

Arm:
The spindle position is adjustable along the arm.

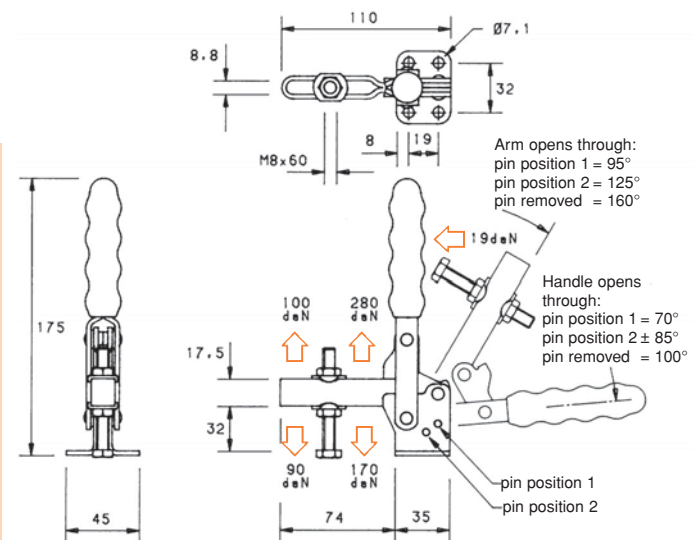
Base:
Flanged.

Nominal Holding Force:
250 daN

Weight:
0.38 Kg

Supplied complete with:
MB0860 Setscrew & nuts.
FW08/15 Flanged washers.

See "Accessories" for other items.



V250 SERIES

MODEL V250/2BSS



Arm:
The spindle position is adjustable along the arm.

Base:
Flanged.

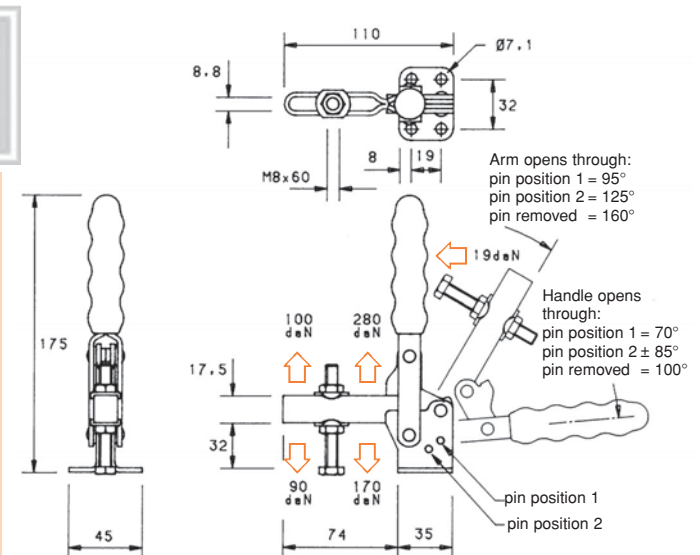
Nominal Holding Force:
250 daN

Weight:
0.38 Kg

Supplied complete with:
Setscrew & nuts.
Flanged washers.

Material:
BS 304 S15

See "Accessories" for other items.



VERTICAL CLAMPS

V250 SERIES

MODEL V250/2C



Arm:
The spindle is in a fixed position.

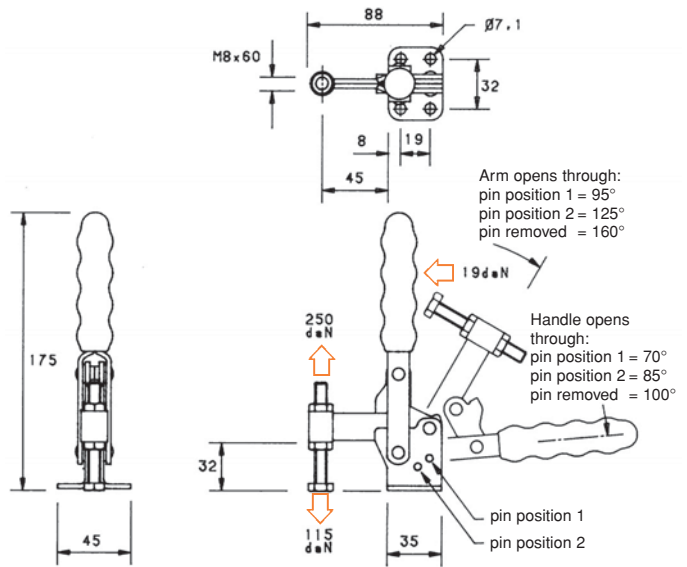
Base:
Flanged.

Nominal Holding Force:
250 daN

Weight:
0.38 Kg

Supplied complete with:
MB0860 Setscrew & nuts.

See "Accessories" for other items.



V300 SERIES

MODEL V300/1A



Arm:
Solid with spindle retainer supplied loose for welding in the desired position.

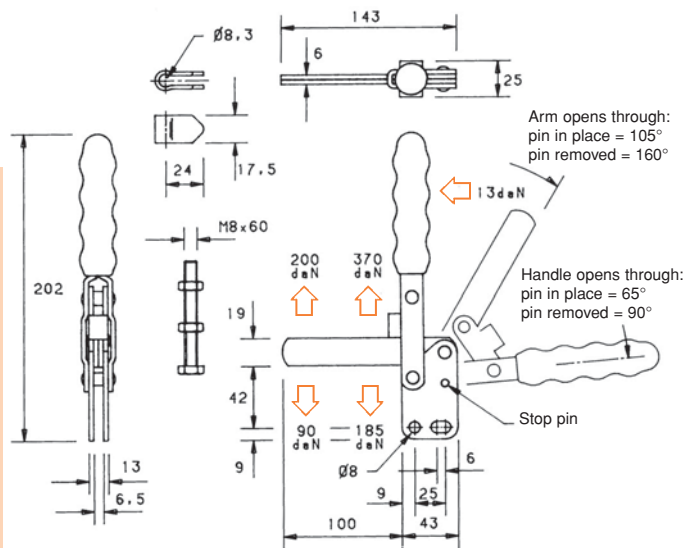
Base:
Straight.

Nominal Holding Force:
300 daN

Weight:
0.48 Kg

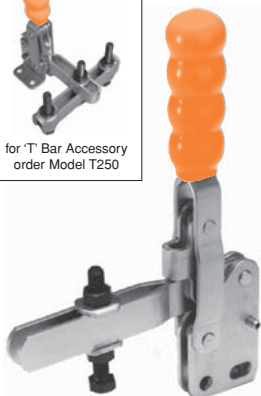
Supplied complete with:
MB0860 Setscrew & nuts.
R/08 Spindle retainer.

See "Accessories" for other items.



V300 SERIES

MODEL V300/1B



Arm:
The spindle position is adjustable along the arm.

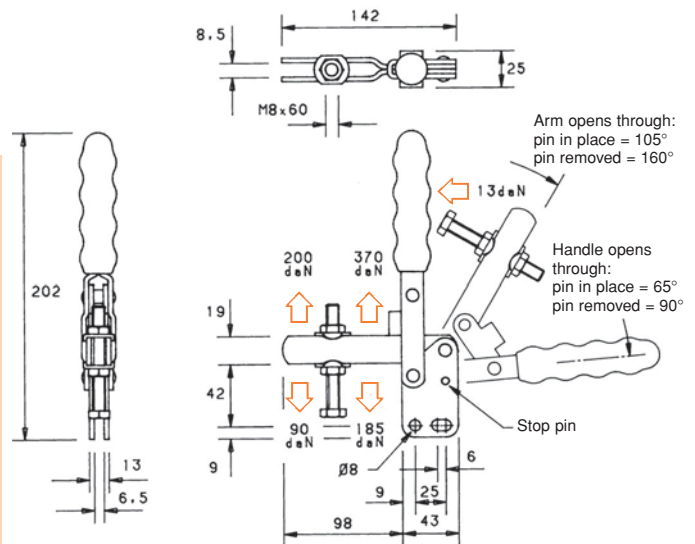
Base:
Straight.

Nominal Holding Force:
300 daN

Weight:
0.48 Kg

Supplied complete with:
MB0860 Setscrew & nuts.
FW08/15 Flanged washers.

See "Accessories" for other items.



VERTICAL CLAMPS

V300 SERIES

MODEL V300/1C



Arm:
The spindle is in a fixed position.

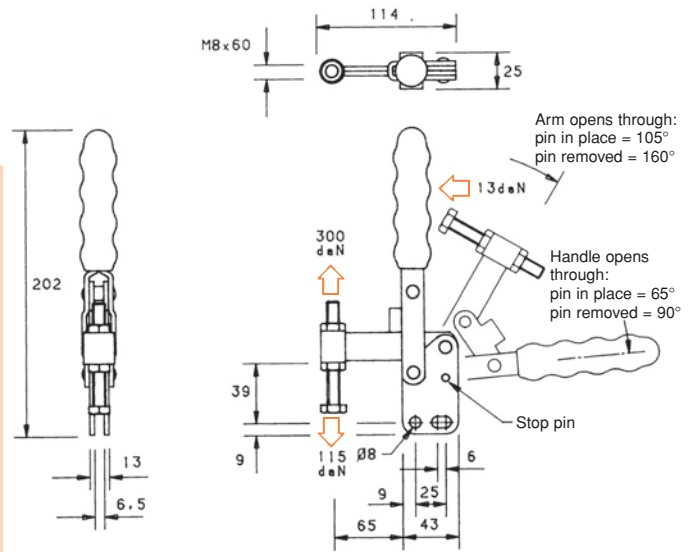
Base:
Straight.

Nominal Holding Force:
300 daN

Weight:
0.48 Kg

Supplied complete with:
MB0860 Setscrew & nuts.

See "Accessories" for other items.



V300 SERIES

MODEL V300/2A



Arm:
Solid with spindle retainer supplied loose for welding in the desired position.

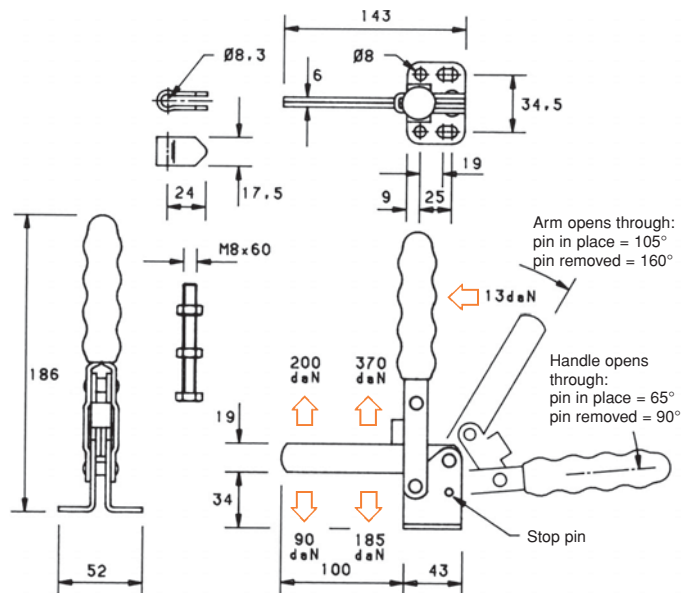
Base:
Flanged.

Nominal Holding Force:
300 daN

Weight:
0.48 Kg

Supplied complete with:
MB0860 Setscrew & nuts.
R/08 Spindle retainer.

See "Accessories" for other items.



V300 SERIES

MODEL V300/2B



Arm:
The spindle is adjustable along the arm.

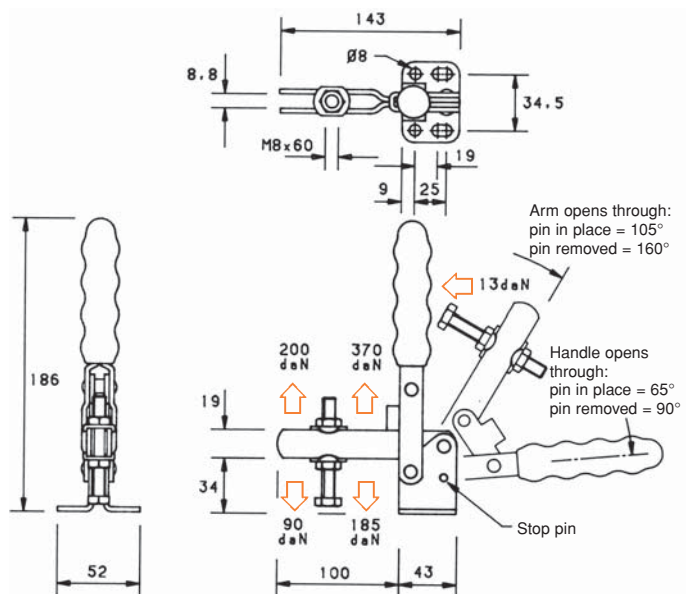
Base:
Flanged.

Nominal Holding Force:
300 daN

Weight:
0.48 Kg

Supplied complete with:
MB0860 Setscrew & nuts.
FW08/15 Flanged washers.

See "Accessories" for other items.



VERTICAL CLAMPS

V300 SERIES

MODEL V300/2C



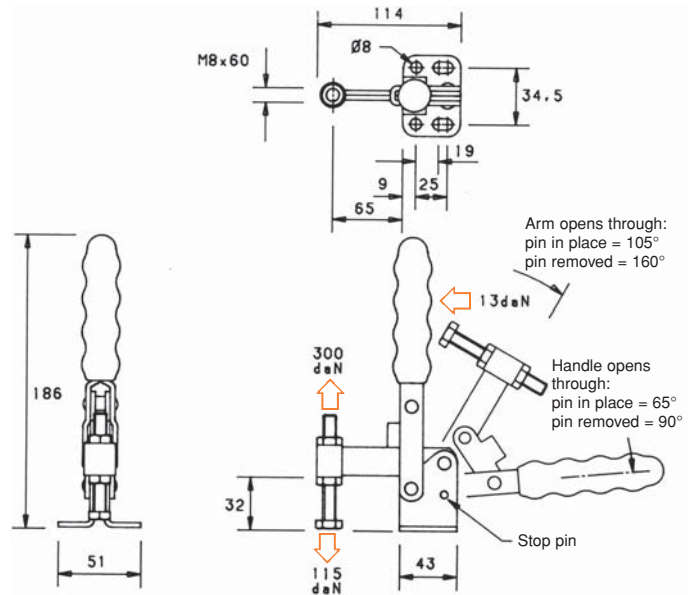
Arm:
The spindle is in a fixed position.

Base:
Flanged.

Nominal Holding Force:
300 daN

Weight:
0.48 Kg

Supplied complete with:
MB0860 Setscrew & nuts.
See "Accessories" for other items.



V300 SERIES

MODEL V300/3A



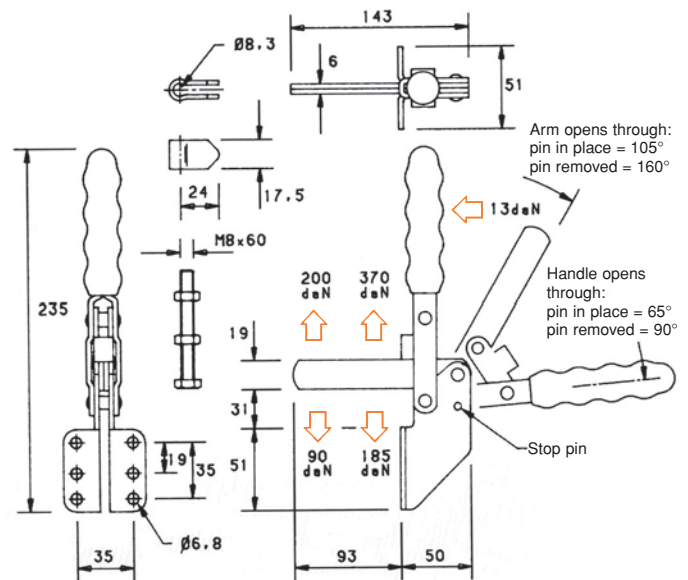
Arm:
Solid with spindle retainer supplied loose for welding in the desired position.

Base:
Front mounting.

Nominal Holding Force:
300 daN

Weight:
0.50 Kg

Supplied complete with:
MB0860 Setscrew & nuts.
R/08 Spindle retainer.
See "Accessories" for other items.



V300 SERIES

MODEL V300/3B



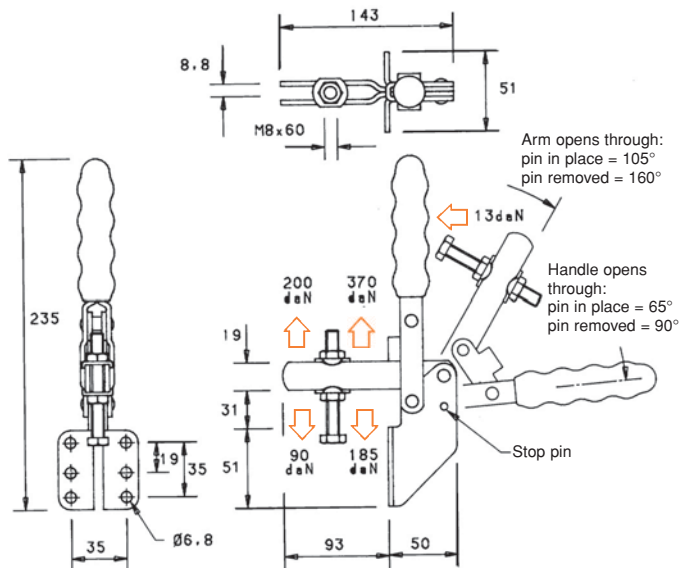
Arm:
The spindle position is adjustable along the arm.

Base:
Front mounting.

Nominal Holding Force:
300 daN

Weight:
0.50 Kg

Supplied complete with:
MB0860 Setscrew & nuts.
FW08/15 Flanged washers.
See "Accessories" for other items.



VERTICAL CLAMPS

V350 SERIES

MODEL V350/1C



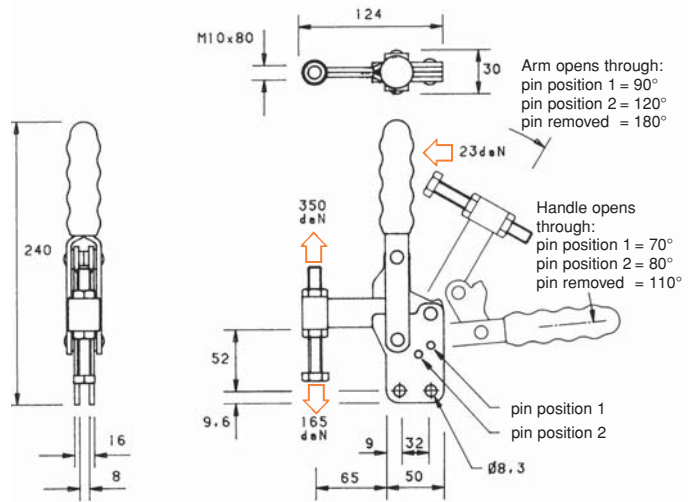
Arm:
The spindle is in a fixed position.

Base:
Straight.

Nominal Holding Force:
350 daN

Weight:
0.75 Kg

Supplied complete with:
MB1080 Setscrew & nuts.
See "Accessories" for other items.

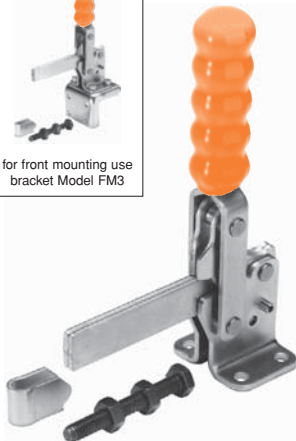


V350 SERIES

MODEL V350/2A



for front mounting use bracket Model FM3



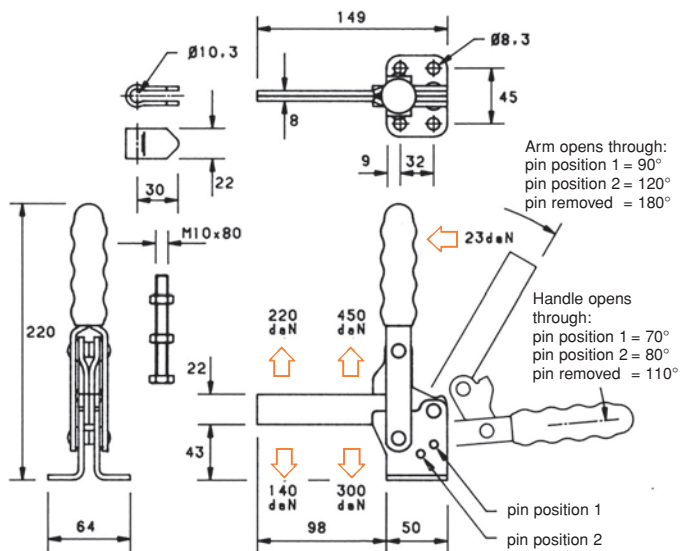
Arm:
Solid with spindle retainer supplied loose for welding in the desired position.

Base:
Flanged.

Nominal Holding Force:
350 daN

Weight:
0.80 Kg

Supplied complete with:
MB1080 Setscrew & nuts.
R/10 Spindle retainer.
See "Accessories" for other items.

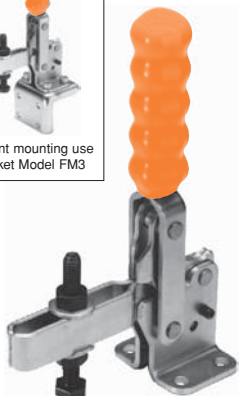


V350 SERIES

MODEL V350/2B



for front mounting use bracket Model FM3



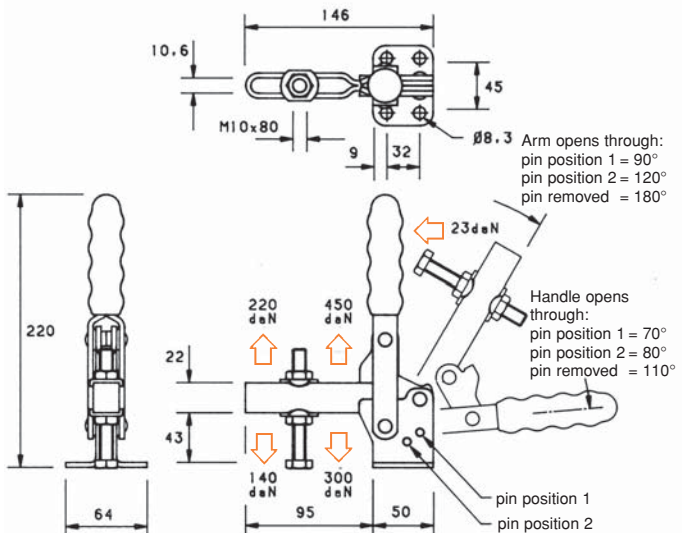
Arm:
The spindle position is adjustable along the arm.

Base:
Flanged.

Nominal Holding Force:
350 daN

Weight:
0.80 Kg

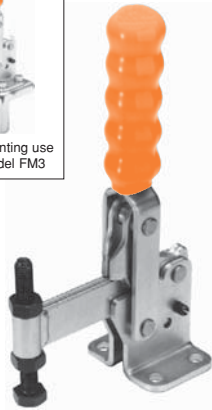
Supplied complete with:
MB1080 Setscrew & nuts.
FW10/20 Flanged washers.
See "Accessories" for other items.



VERTICAL CLAMPS

V350 SERIES

MODEL V350/2C



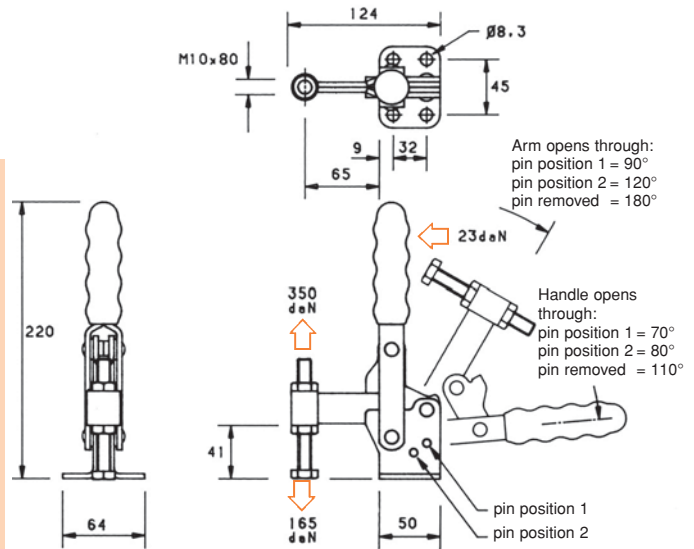
Arm:
The spindle is in a fixed position.

Base:
Flanged.

Nominal Holding Force:
350 daN

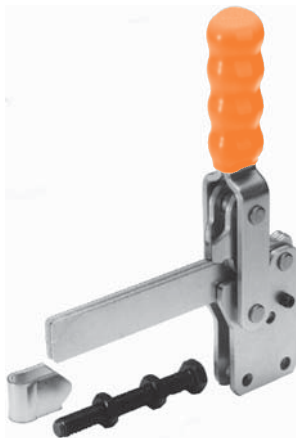
Weight:
0.75 Kg

Supplied complete with:
MB1080 Setscrew & nuts.
See "Accessories" for other items.



V450 SERIES

MODEL V450/1A



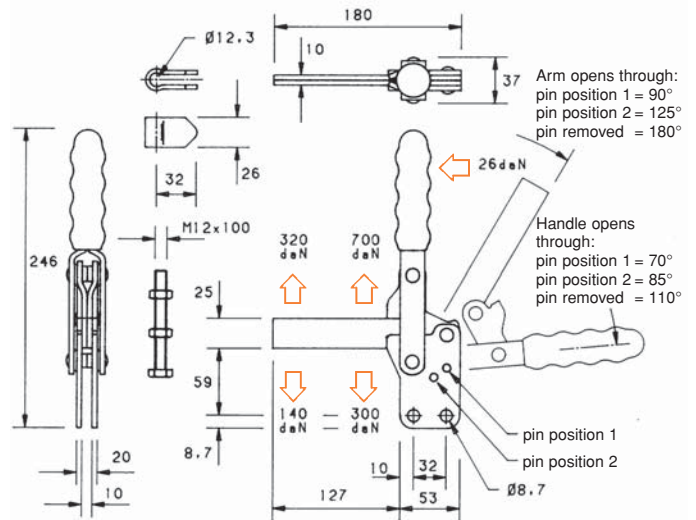
Arm:
Solid with spindle retainer supplied loose for welding in the desired position.

Base:
Straight.

Nominal Holding Force:
450 daN

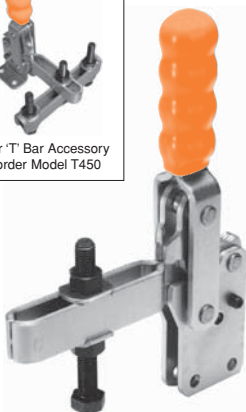
Weight:
1.25 Kg

Supplied complete with:
MB12100 Setscrew & nuts.
R/12 Spindle retainer.
See "Accessories" for other items.



V450 SERIES

MODEL V450/1B



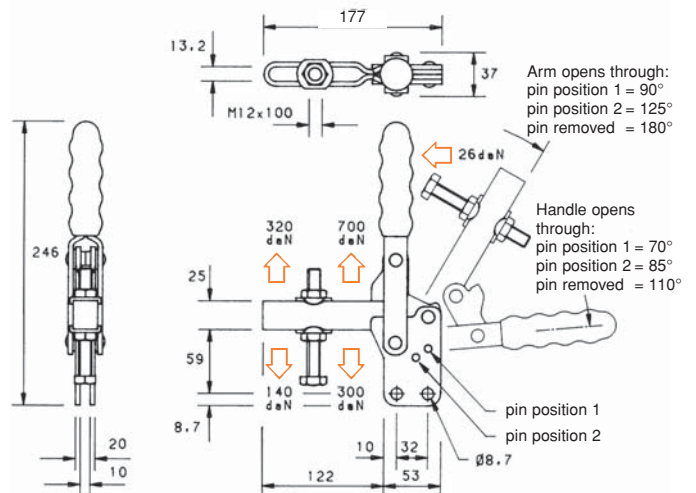
Arm:
The spindle position is adjustable along the arm.

Base:
Straight.

Nominal Holding Force:
450 daN

Weight:
1.35 Kg

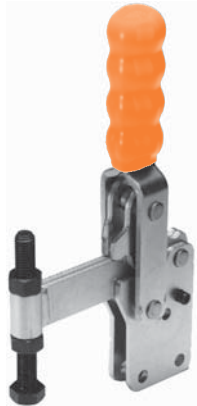
Supplied complete with:
MB12100 Setscrew & nuts.
FW12/23 Flanged washers.
See "Accessories" for other items.



VERTICAL CLAMPS

V450 SERIES

MODEL V450/1C



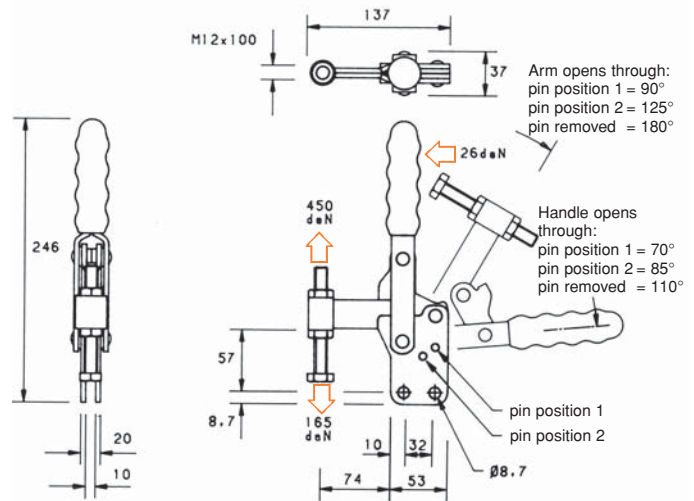
Arm:
The spindle is in a fixed position.

Base:
Straight.

Nominal Holding Force:
450 daN

Weight:
1.30 Kg

Supplied complete with:
MB12100 Setscrew & nuts.
See "Accessories" for other items.

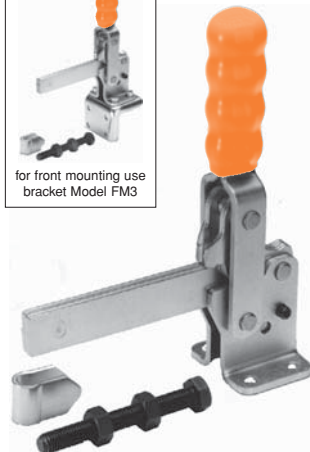


V450 SERIES

MODEL V450/2A



for front mounting use
bracket Model FM3



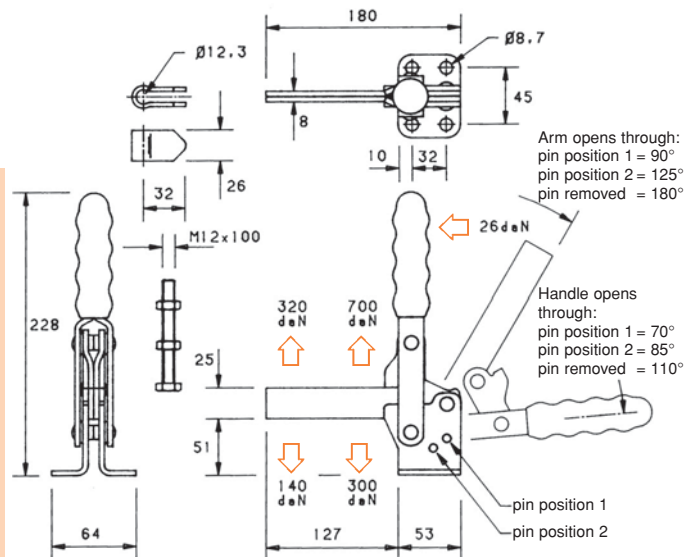
Arm:
Solid with spindle retainer supplied loose for welding in the desired position.

Base:
Flanged.

Nominal Holding Force:
450 daN

Weight:
1.25 Kg

Supplied complete with:
MB12100 Setscrew & nuts.
R/12 Spindle retainer.
See "Accessories" for other items.

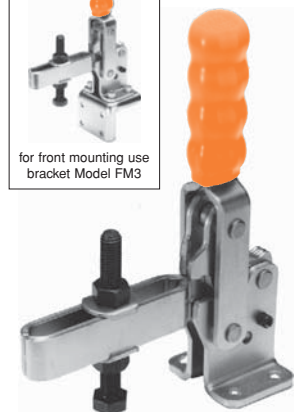


V450 SERIES

MODEL V450/2B



for front mounting use
bracket Model FM3



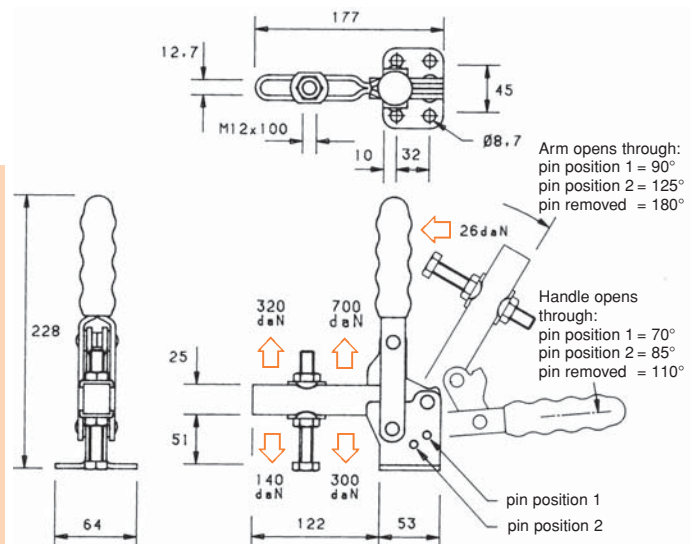
Arm:
The spindle position is adjustable along the arm.

Base:
Flanged.

Nominal Holding Force:
450 daN

Weight:
1.35 Kg

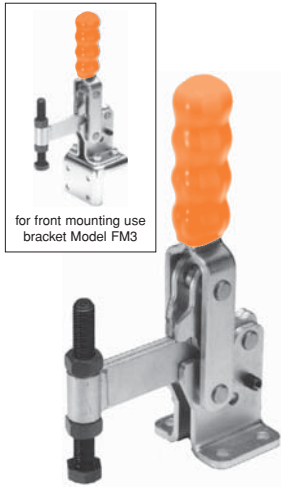
Supplied complete with:
MB12100 Setscrew & nuts.
FW12/23 Flanged washers.
See "Accessories" for other items.



VERTICAL CLAMPS

V450 SERIES

MODEL V450/2C



for front mounting use bracket Model FM3

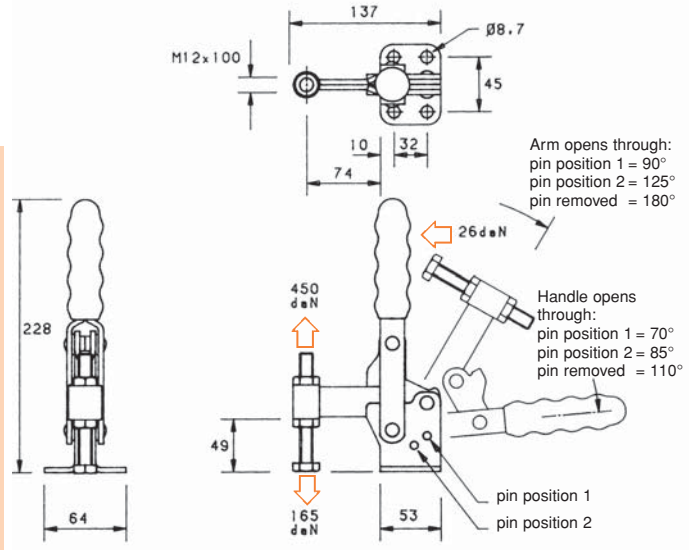
Arm:
The spindle is in a fixed position.

Base:
Flanged.

Nominal Holding Force:
450 daN

Weight:
1.30 Kg

Supplied complete with:
MB12100 Setscrew & nuts.
See "Accessories" for other items.



V550 SERIES

MODEL V550/1A



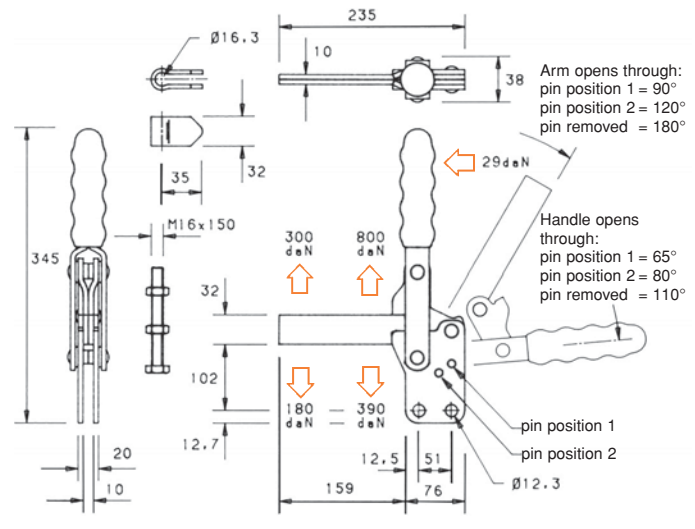
Arm:
Solid with spindle retainer supplied loose for welding in the desired position.

Base:
Straight.

Nominal Holding Force:
550 daN

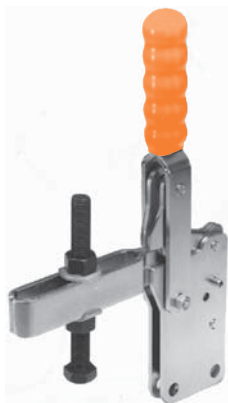
Weight:
2.20 Kg

Supplied complete with:
MB16150 Setscrew & nuts.
R/16 spindle retainer.
See "Accessories" for other items.



V550 SERIES

MODEL V550/1B



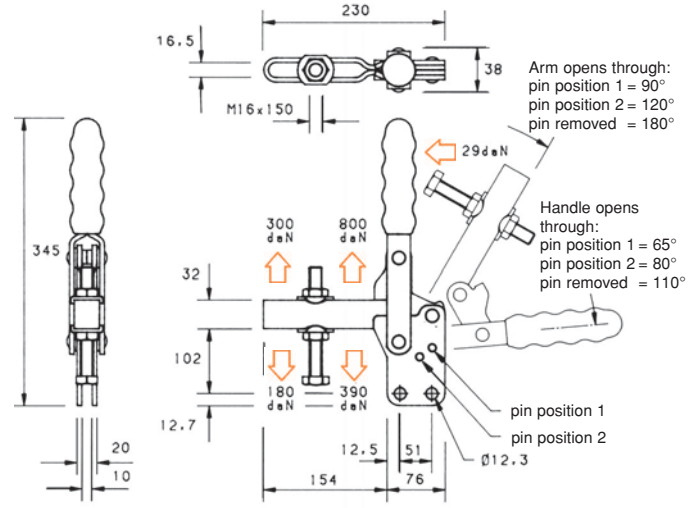
Arm:
The spindle is adjustable along the arm.

Base:
Straight.

Nominal Holding Force:
550 daN

Weight:
2.40 Kg

Supplied complete with:
MB16150 Setscrew & nuts.
FW16/27 Flanged washers.
See "Accessories" for other items.



VERTICAL CLAMPS

V550 SERIES

MODEL V550/1C



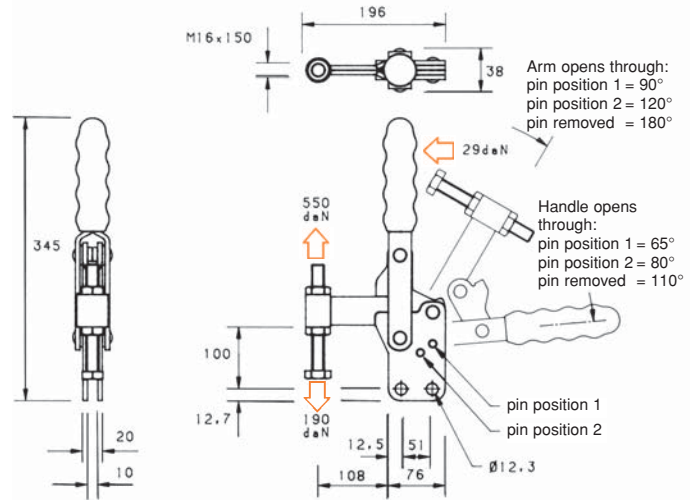
Arm:
The spindle is in a fixed position.

Base:
Straight.

Nominal Holding Force:
550 daN

Weight:
2.30 Kg

Supplied complete with:
MB16150 Setscrew & nuts.
See "Accessories" for other items.



V550 SERIES

MODEL V550/2A



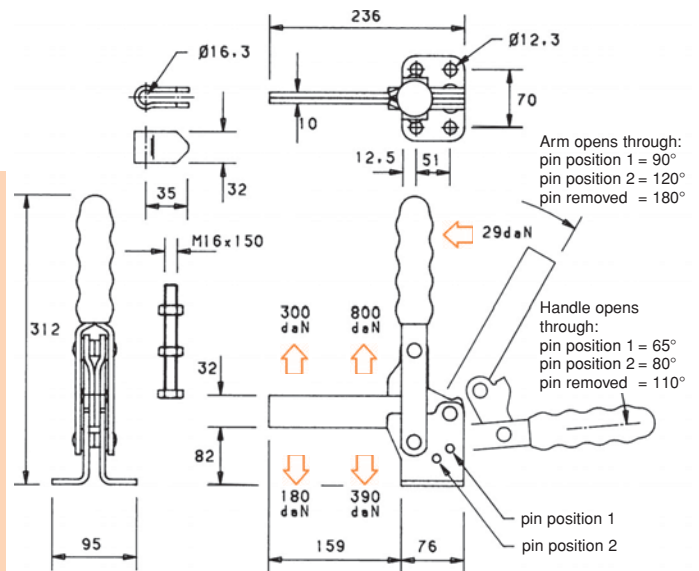
Arm:
Solid with spindle retainer supplied loose for welding in the desired position.

Base:
Flanged.

Nominal Holding Force:
550 daN

Weight:
2.20 Kg

Supplied complete with:
MB16150 Setscrew & nuts.
R/16 Spindle retainer.
See "Accessories" for other items.



V550 SERIES

MODEL V550/2B



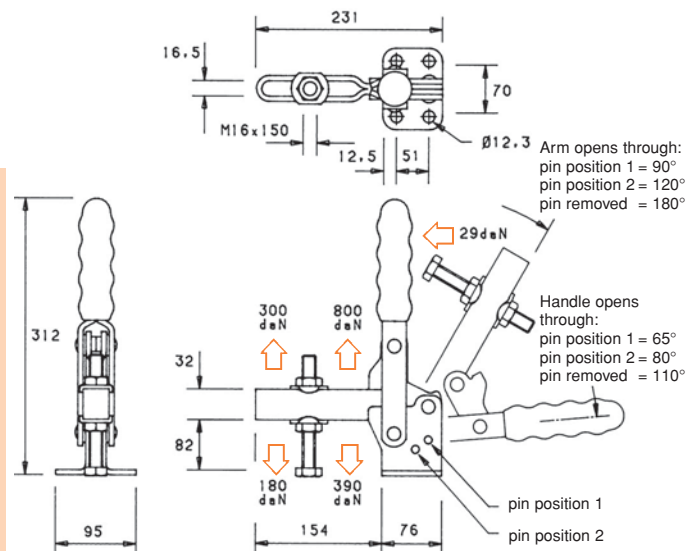
Arm:
The spindle is adjustable along the arm.

Base:
Flanged.

Nominal Holding Force:
550 daN

Weight:
2.40 Kg

Supplied complete with:
MB16150 Setscrew & nuts.
FW16/27 Flanged washer.
See "Accessories" for other items.



VERTICAL CLAMPS

V550 SERIES

MODEL V550/2C



Arm:
The spindle is in a fixed position.

Base:
Flanged.

Nominal Holding Force:
550 daN

Weight:
2.30 Kg

Supplied complete with:
MB16150 Setscrew & nuts.
See "Accessories" for other items.

