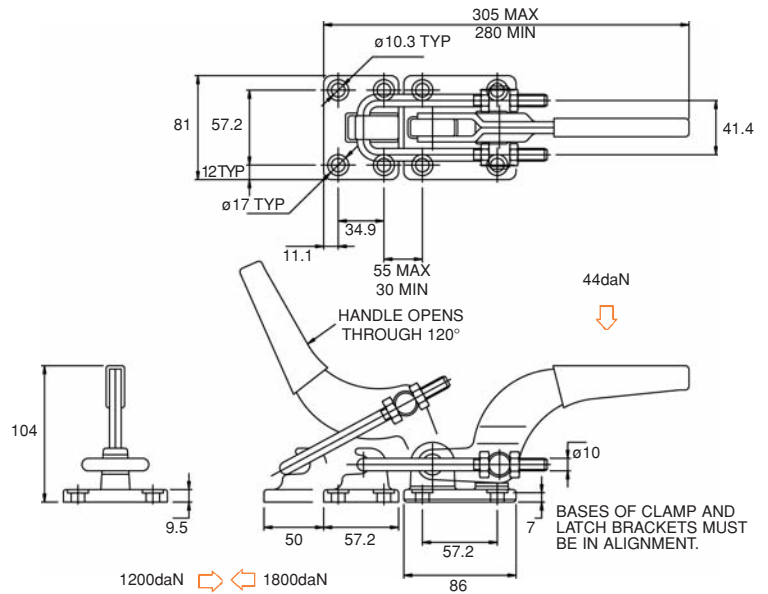


LATCH CLAMPS

HORIZONTAL
MODEL LU375



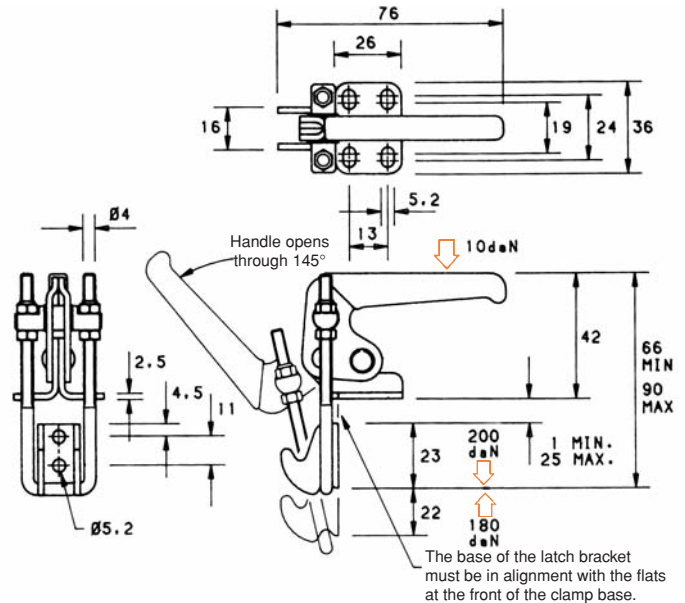
Nominal Holding Force:
900 daN
Weight:
0.68 Kg
Supplied complete with:
Latch Bracket as shown.



VERTICAL
MODEL LU200V



Nominal Holding Force:
200 daN
Weight:
0.05 Kg
Supplied complete with:
Latch Bracket as shown.
See "Features and installation information" page for installation instructions.



VERTICAL
MODEL LU200VSS



Nominal Holding Force:
200 daN
Weight:
0.05 Kg
Supplied complete with:
Latch Bracket as shown.
Material:
BS 304 S15.
See "Features and installation information" page for installation instructions.

