

VERTICAL CLAMPS

V70 SERIES

MODEL V70/2BT

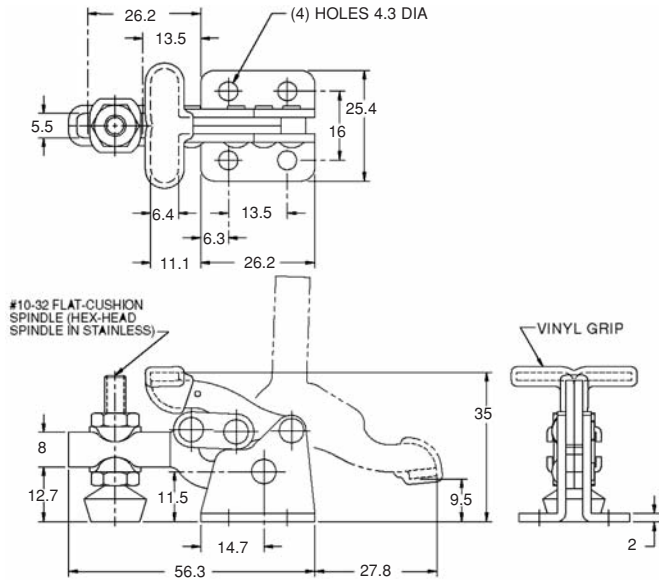


Holding Force:
70 daN

T-Handle:
Miniature hold-down clamp with a unique finger-grip T-handle. Open arm allows spindle adjustment. Arm opens 92° while handle moves 175°.

Shipping weight:
0.1 Kg

Supplied with:
#10-32 flat-cushion spindle
16112-FC.
2 TW flanged washers.



V70 SERIES

MODEL V70/2BTSS

**STAINLESS
STEEL**



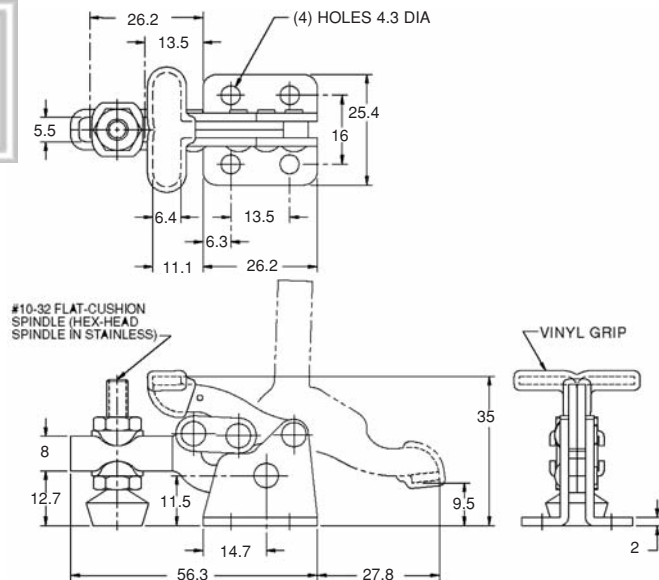
Holding Force:
70 daN

T-Handle:
Miniature hold-down clamp with a unique finger-grip T-handle. Open arm allows spindle adjustment. Arm opens 92° while handle moves 175°.

Shipping weight:
0.1 Kg

Supplied with:
#10-32 flat-cushion spindle
16112-FC.
2 TW flanged washers.

Material: BS 304 S15



V30 SERIES

MODEL V30/2B



Arm:
The spindle position is adjustable along the arm.

Base:
Flanged.

Nominal Holding Force:
30 daN

Weight:
0.04 Kg

Supplied with:
MB0442 Setscrew & nut.

