

EV95 EXTRACTOR VENTILATOR



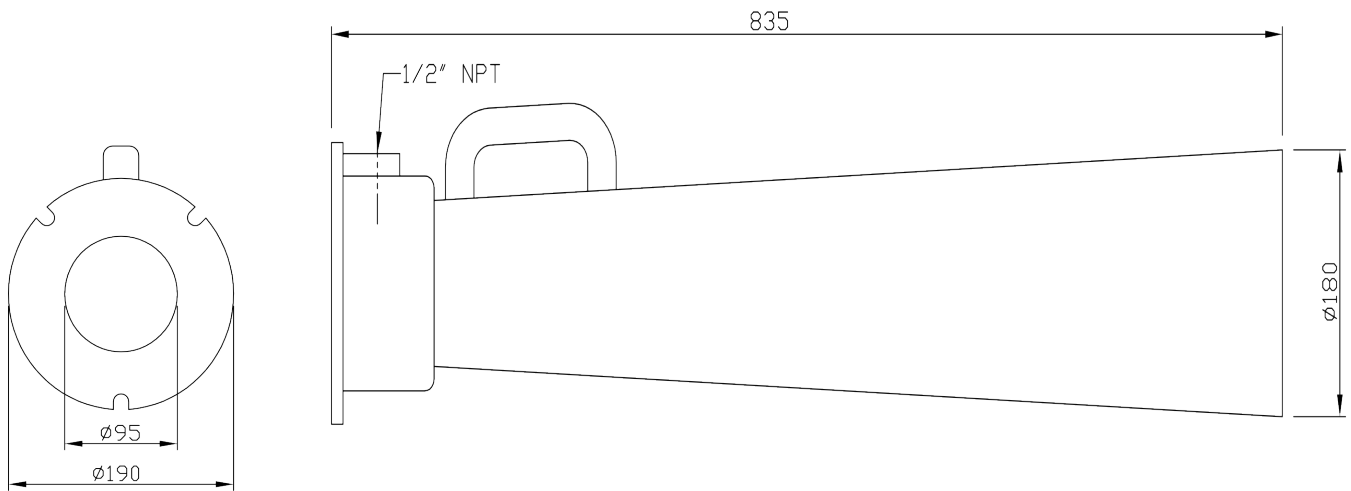
Material: Aluminium/Polyethylene

Weight: 3.0 Kg

dB(A) at: 5.5 bar is 92

Standard Inlet Threads: ½ NPT

Flange: API 3" / 76.2mm



Press in bar	Vol in m ³ /min	Vol out m ³ /min
2.76	0.622	28.345
4.14	1.132	36.132
5.52	1.642	40.747

