

VERTICAL CLAMPS

V300 SERIES

MODEL V300/2C



Arm:
The spindle is in a fixed position.

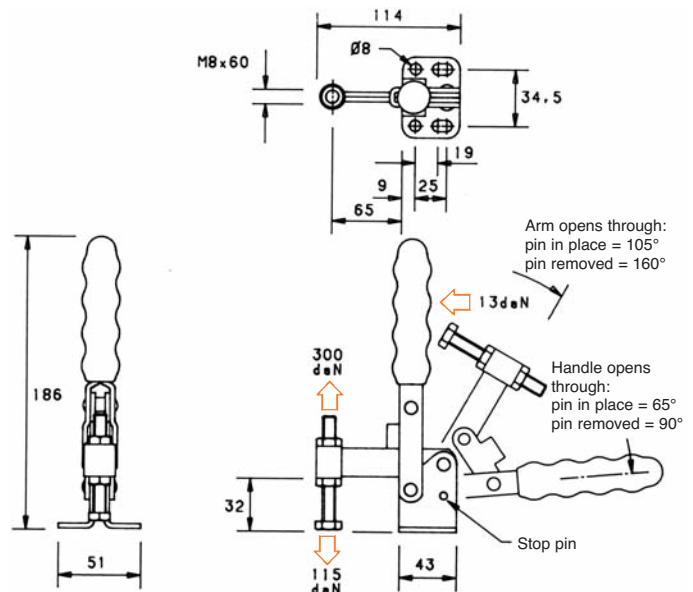
Base:
Flanged.

Nominal Holding Force:
300 daN

Weight:
0.48 Kg

Supplied complete with:
MB0860 Setscrew & nuts.

See "Accessories" for other items.



V300 SERIES

MODEL V300/3A



Arm:
Solid with spindle retainer supplied loose for welding in the desired position.

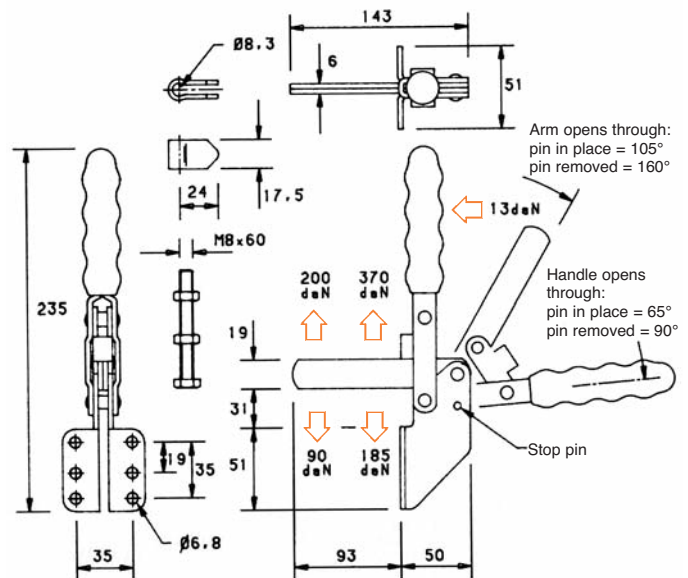
Base:
Front mounting.

Nominal Holding Force:
300 daN

Weight:
0.50 Kg

Supplied complete with:
MB0860 Setscrew & nuts.
R/08 Spindle retainer.

See "Accessories" for other items.



V300 SERIES

MODEL V300/3B



Arm:
The spindle position is adjustable along the arm.

Base:
Front mounting.

Nominal Holding Force:
300 daN

Weight:
0.50 Kg

Supplied complete with:
MB0860 Setscrew & nuts.
FW08/15 Flanged washers.

See "Accessories" for other items.

