

HEAVY-DUTY VERTICAL CLAMPS

VA1200 SERIES MODEL VA1200T



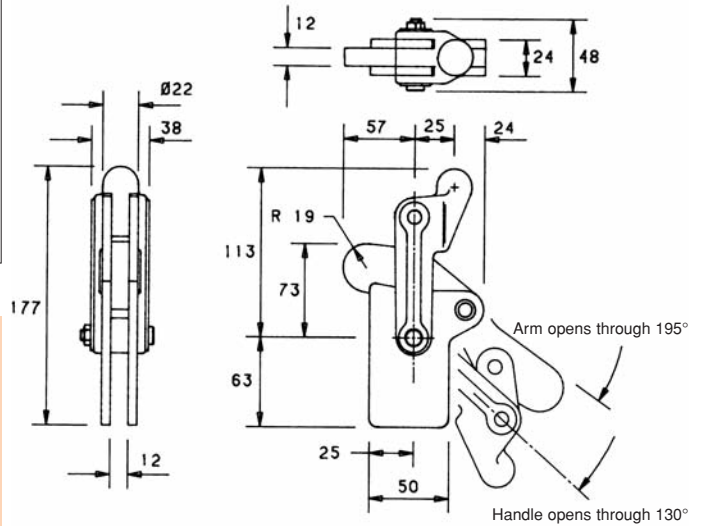
Arm:
Stub nose for welded
extensions.

Base:
Straight.

Nominal Holding Force:
1200 daN

Weight:
1.45 Kg

See "Accessories" for other
items.



VA1200 SERIES MODEL VA1200/1A



Arm:
Solid arm.

Base:
Straight.

Nominal Holding Force:
1200 daN

Weight:
1.80 Kg

Supplied complete with:
Spindle retainer.
MB12100 Setscrew & nuts.

See "Accessories" for other
items.

