

## HORIZONTAL CLAMPS

### H350 SERIES

#### MODEL H350/1A



**Arm:**  
2-piece "solid" arm with spindle retainer supplied loose for welding in the desired position.

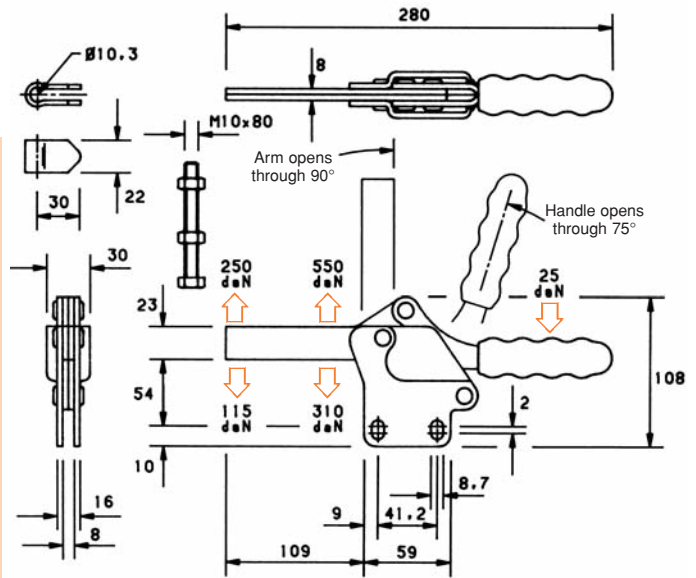
**Base:**  
Straight.

**Nominal Holding Force:**  
350 daN

**Weight:**  
0.90 Kg

**Supplied complete with:**  
MB1080 Setscrew & nuts.  
R/10 Spindle retainer.

See "Accessories" for other items.



### H350 SERIES

#### MODEL H350/1B



for "T" Bar Accessory order Model T350



**Arm:**  
The spindle position is adjustable along the arm.

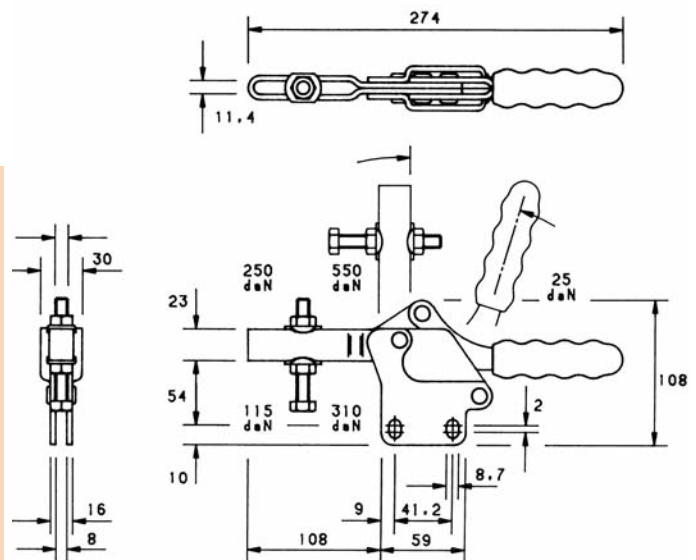
**Base:**  
Straight.

**Nominal Holding Force:**  
350 daN

**Weight:**  
0.90 Kg

**Supplied complete with:**  
MB1080 Setscrew & nuts.  
FW10/20 Flanged washers.

See "Accessories" for other items.



### H350 SERIES

#### MODEL H350/2A



for front mounting use bracket Model FM3



**Arm:**  
2-piece "solid" arm with spindle retainer supplied loose for welding in the desired position.

**Base:**  
Flanged.

**Nominal Holding Force:**  
350 daN

**Weight:**  
0.90 Kg

**Supplied complete with:**  
MB1080 Setscrew & nuts.  
R/10 Spindle retainer.

See "Accessories" for other items.

