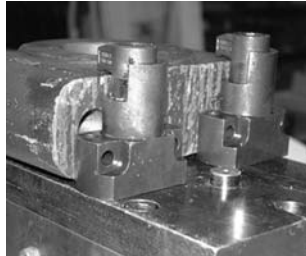


## HEAVY-DUTY SWING CLAMPS

### SWING CLAMP ASSEMBLIES

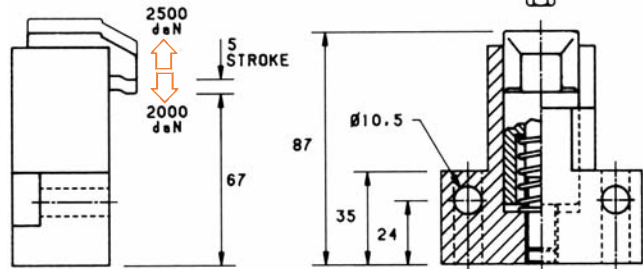
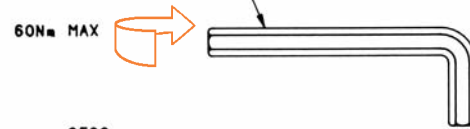
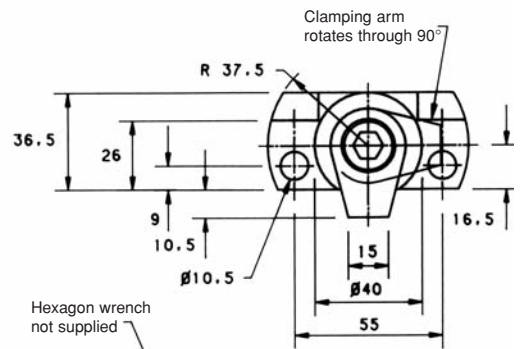
MODEL 1016-12



- Base or Front Mounted.
- Manually turned.
- Tightened & released by hexagonal key.
- Spring return.

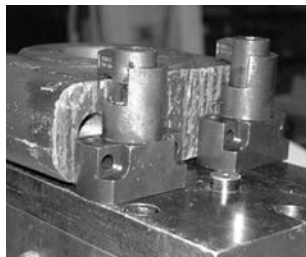
**Nominal Holding Force:**  
2500 daN

**Weight:**  
0.81 Kg



### SWING CLAMP ASSEMBLIES

MODEL 1016-16



- Base or Front Mounted.
- Manually turned.
- Tightened & released by hexagonal key.
- Spring return.

**Nominal Holding Force:**  
3000 daN

**Weight:**  
1.60 Kg

