

HEAVY-DUTY VERTICAL CLAMPS

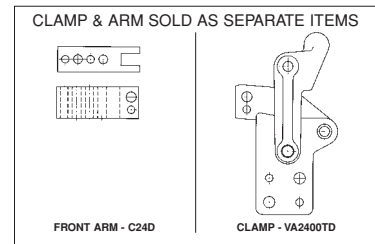
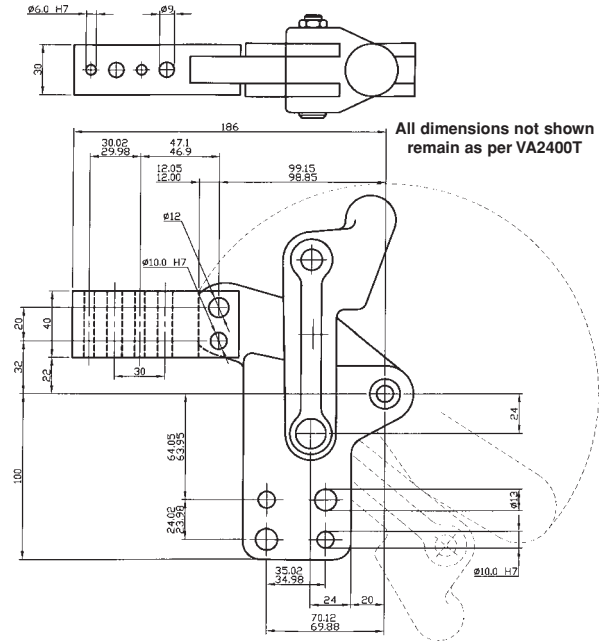
VA2400 SERIES
MODEL VA2400TD



for pneumatic models
see page 15



Arm:
Stub nose with mounting holes.
Base:
Straight with mounting holes.
Nominal Holding Force:
2400 daN
Weight:
3.96kg
See "Accessories" for other items.



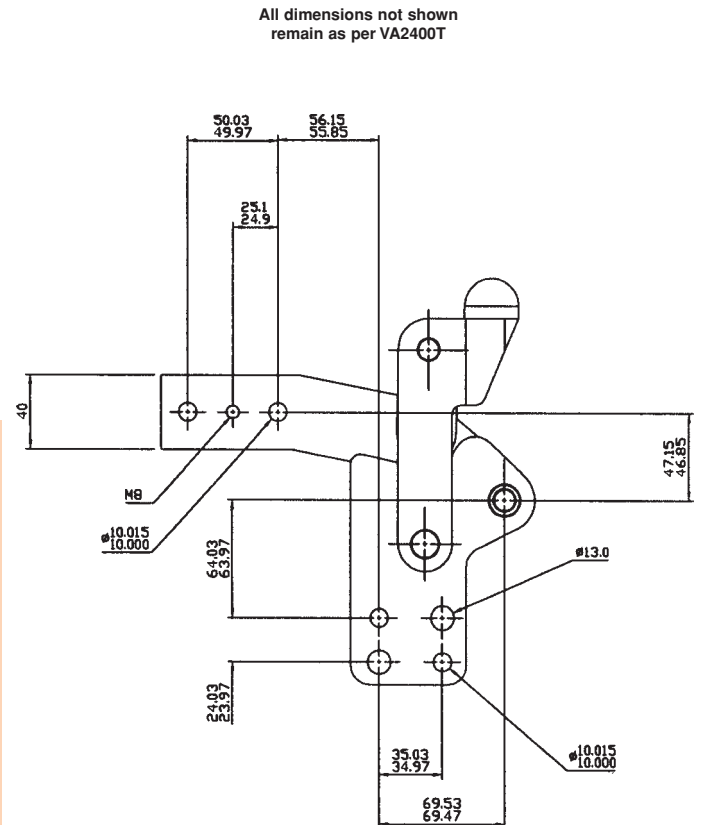
VA2400 SERIES
MODEL VA2400TP



for pneumatic models
see page 15



Arm:
Solid arm with mounting holes.
Base:
Straight with mounting holes.
Nominal Holding Force:
2400 daN
Weight:
3.96kg
See "Accessories" for other items.



CLAMPING PRODUCTS